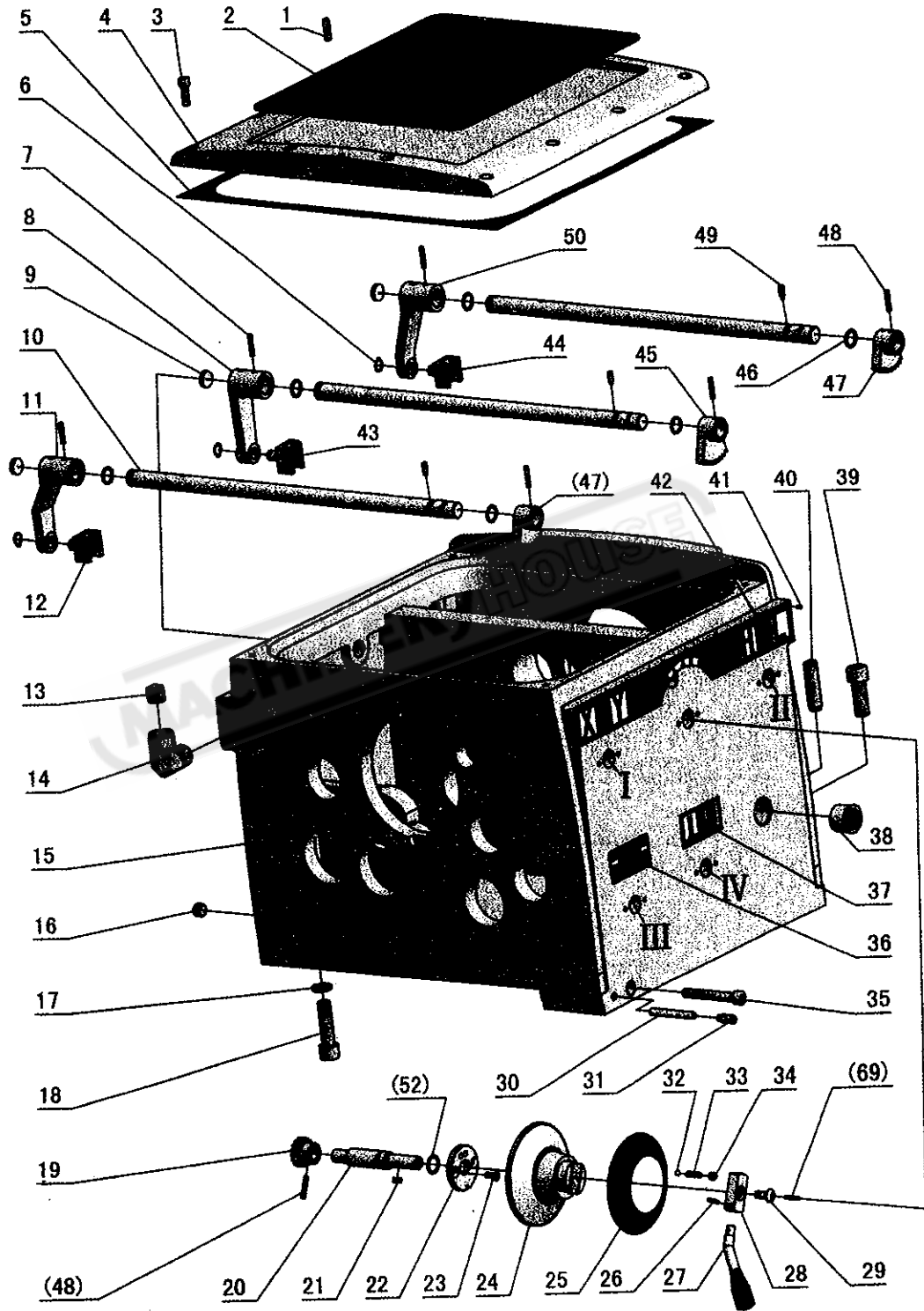
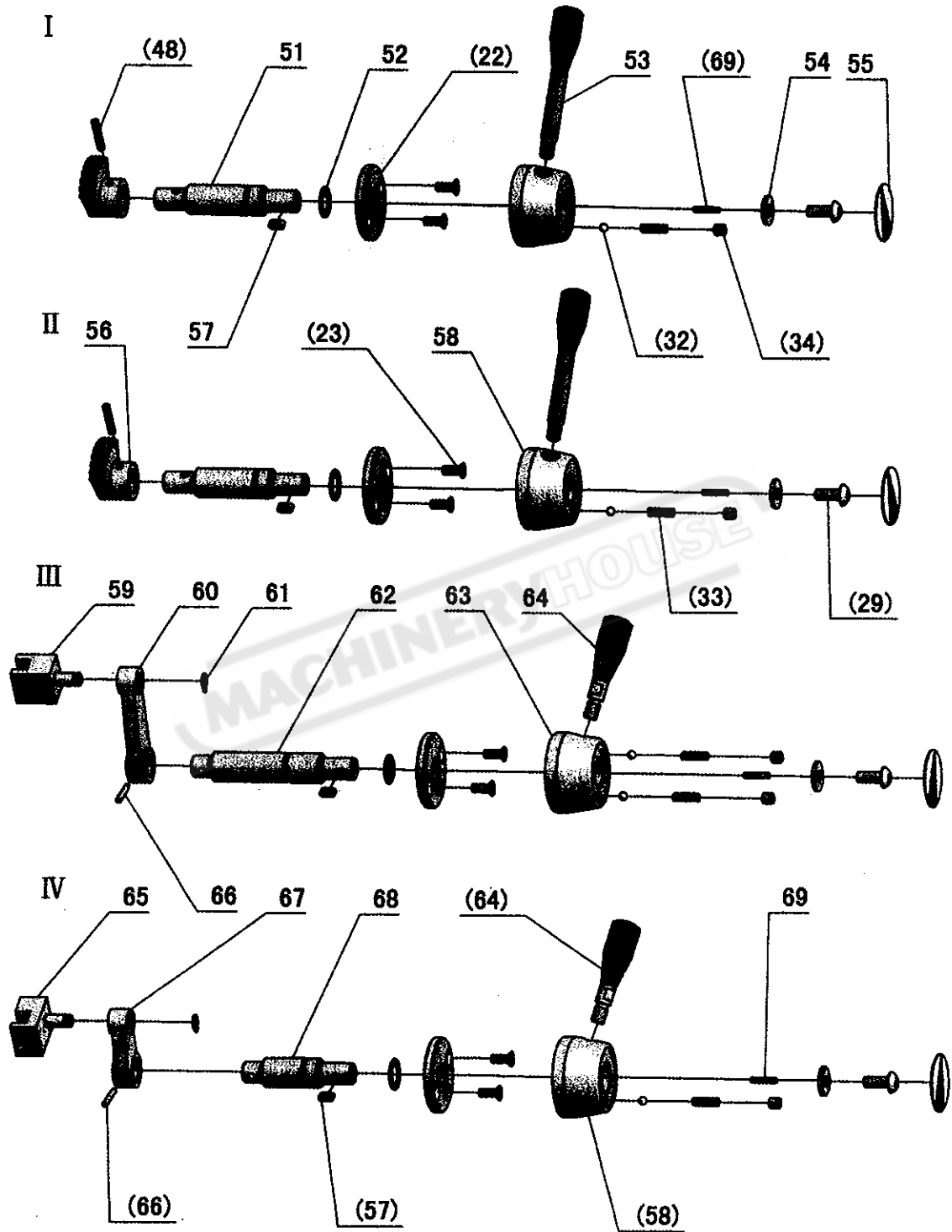
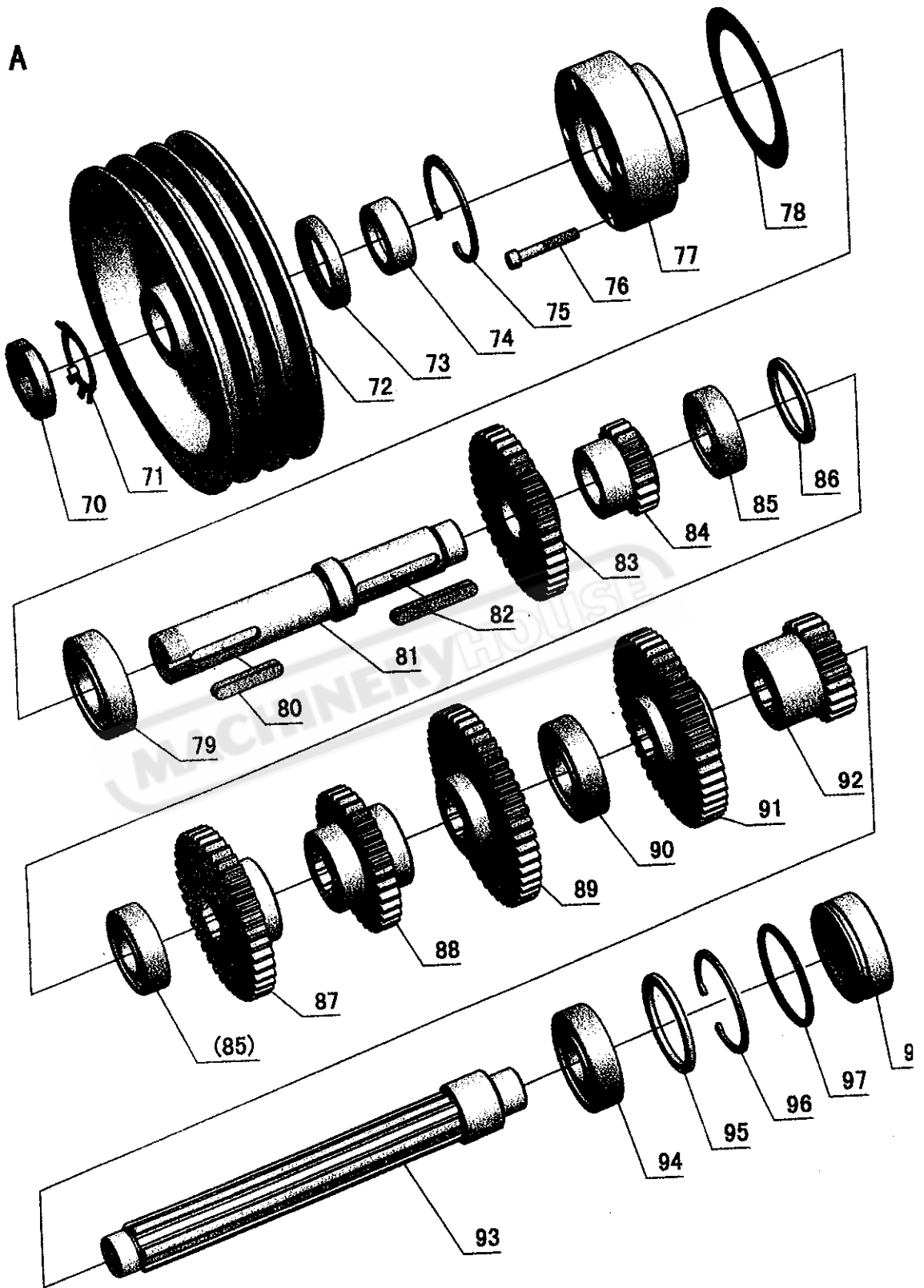


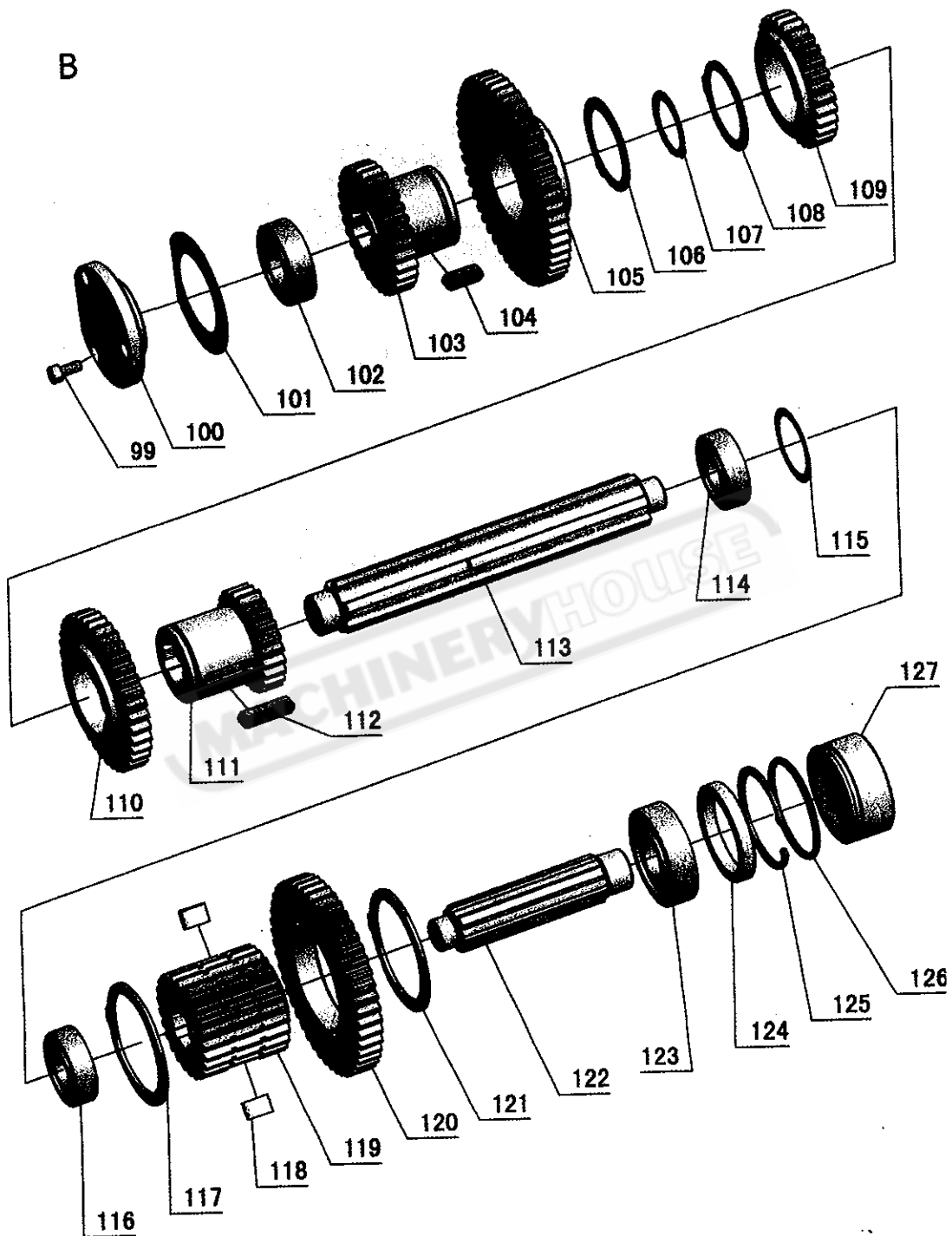
11.Parts List Assembly

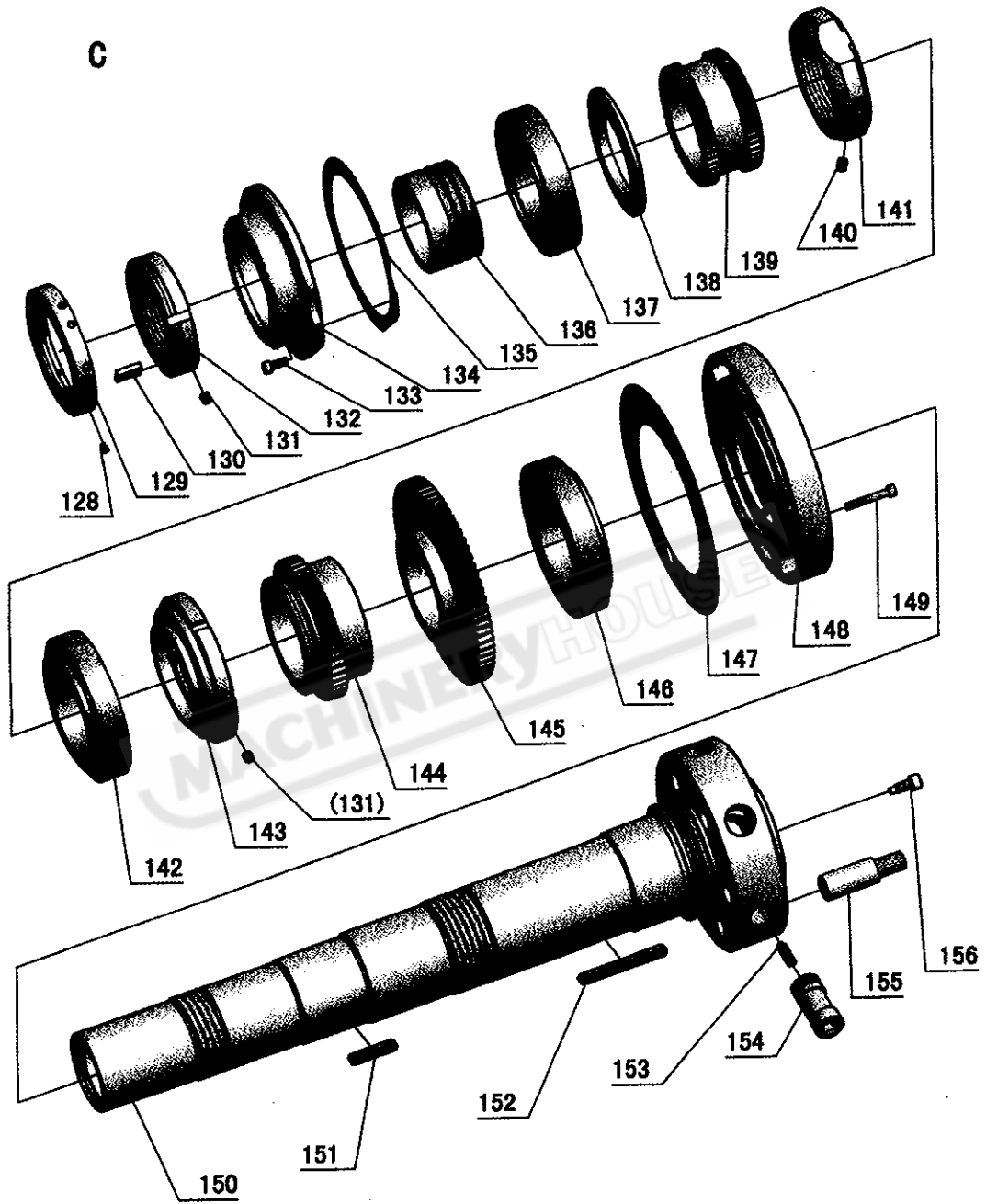
Headstock



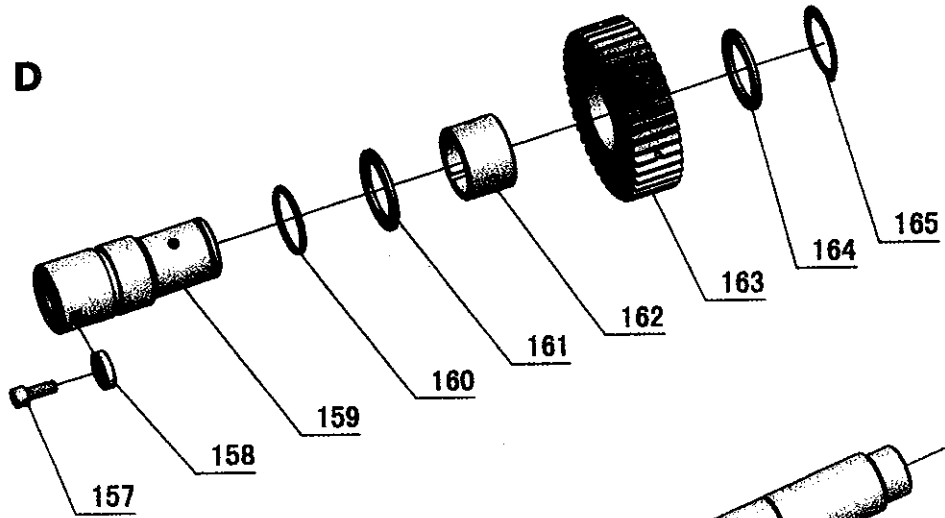




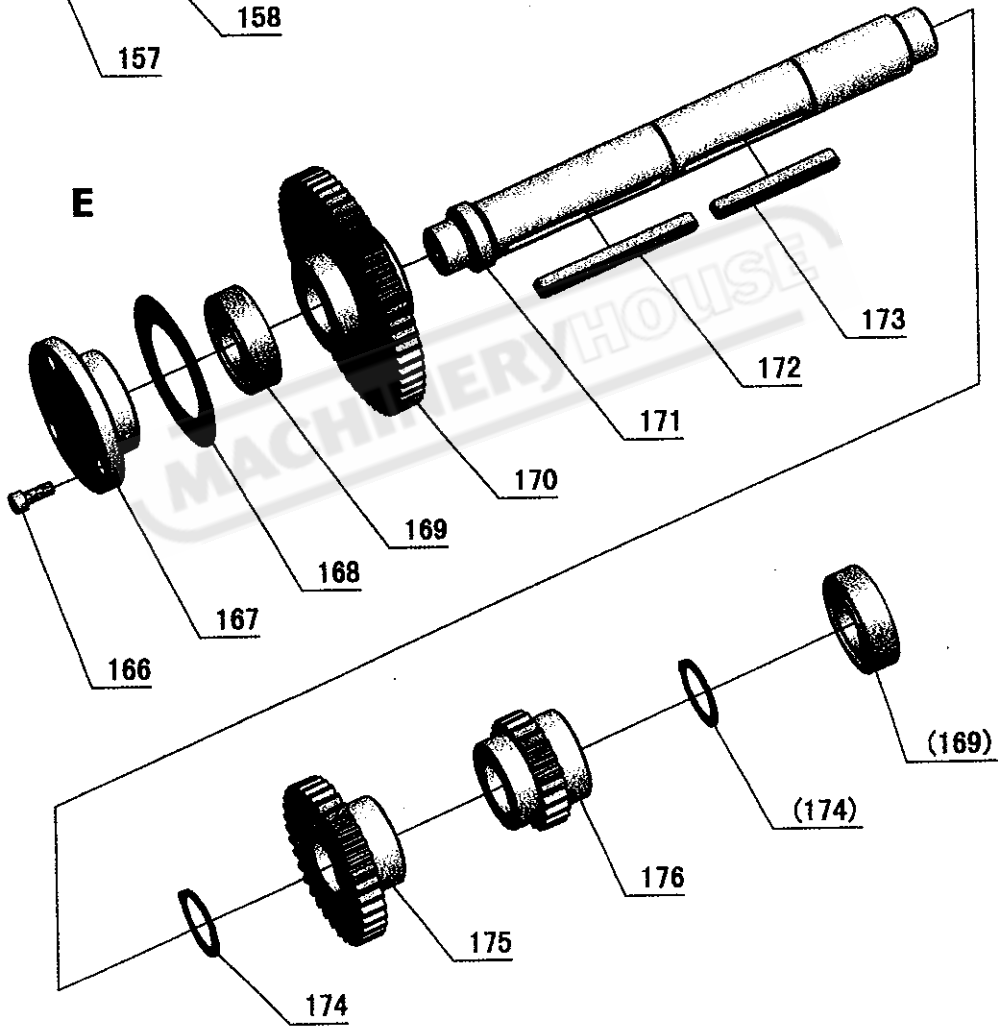


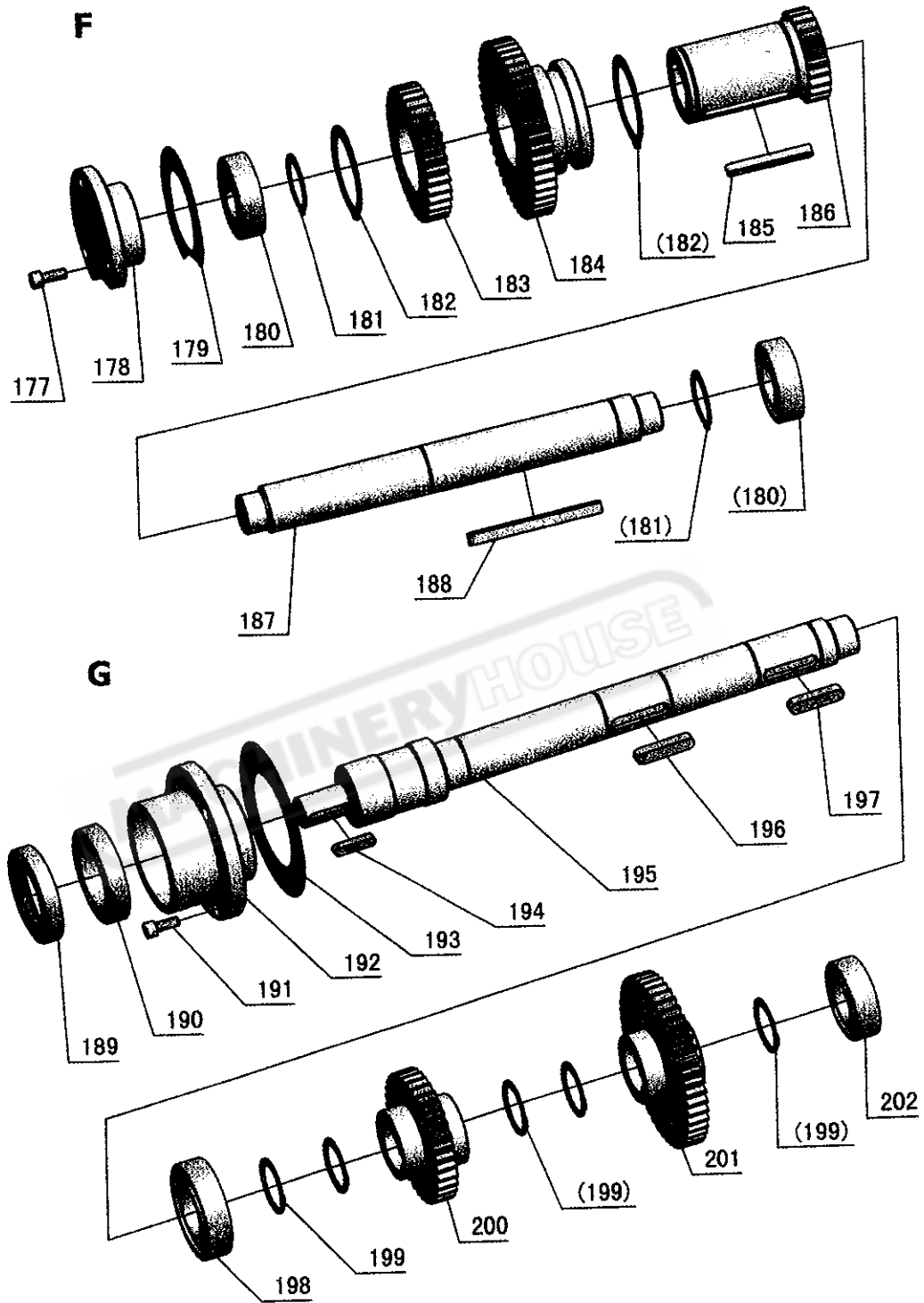


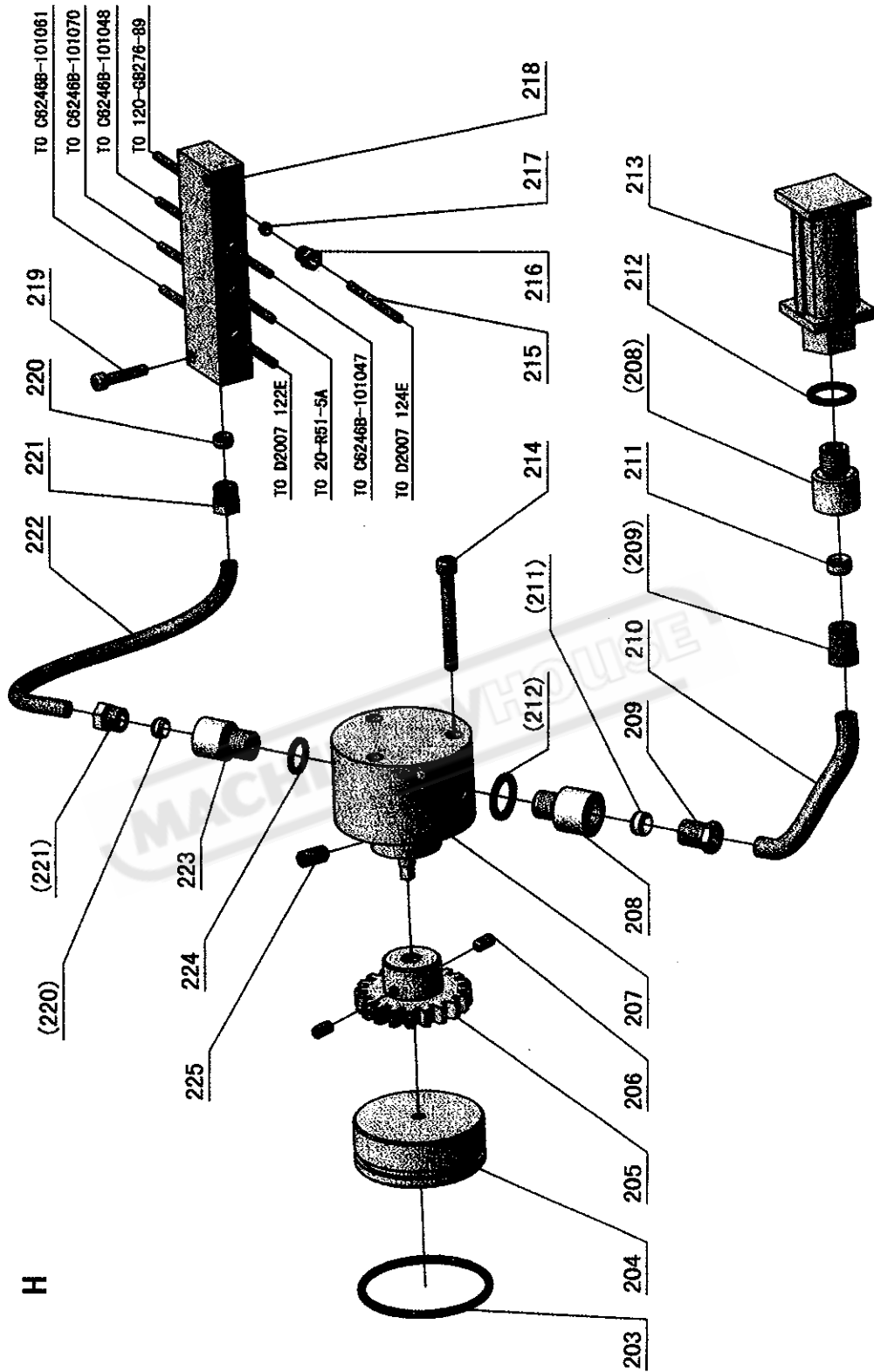
D



E







H

No.	Part No.	Name	Specification	Qty.
1	GB77-85	Screw	M8 × 25	1
2	C6246B-101003	Cover Dress		1
3	GB70-85	Screw	M8 × 20	4
4	C6246B-101002	Headstock Cover		1
5	C6246B-101002-1	Sealed Mat		1
6	GB894.1-86	Circlip	12	3
7	GB879-86	Spring Pin	5 × 30	3
8	C6246B-101011	Lever		1
9	RUN6246-101083	Plug		3
10	RUN6246-101059	Shaft		3
11	C6246B-101022	Lever		1
12	C6246B-101021	Fork		1
13	SB4032-65	Plug		1
14	SB4010-65	Tube Fitting		1
15	C6251A-04-01	Headstock		1
15	C6256A-04-01	Headstock		1
16	G38-3A	Oil Plug	Z 3/8"	1
17	GB93-87	Washer	16	3
18	GB70-85	Socket Head Cap Screw	M16 × 55	3
19	C6246B-101004-1	Gear		1
20	RUN6246-101065-1	Shaft		1
21	GB1096-79	Flat Key	5 × 12	1
22	RUN6246-101067	Fix Plate		5
23	GB819-85	Screw	M6 × 16	10
24	RUN6246-101077-1	Handle		1
25	RUN6246-101097	Plate		1
26	GB879-86	Spring Pin	4 × 20	1
27	RUN6246-101077-3	Lever		1
28	RUN6246-101077-2	Fix Bracket		1
29	RUN6246-101088	Round Head Screw		5
30	RUN6246-101080	Pin		2
31	GB79-85	Socket Head Set Screw	M10 × 25	2
32	GB308-84	Steel Ball	1/4"	6
33	RUN6246-101066	Spring		6
34	GB77-85	Screw	M8 × 8	6
35	GB70-85	Screw	M10 × 110	1
36	C6246B-101098	Plate		1
37	C6246B-101100	Plate		1
38	R51-5A	Oil Sight Glass	20	1
39	GB70-85	Screw	M16 × 55	3

No.	Part No.	Name	Specification	Qty.
40	GB120-86	Pin	16 × 55	1
41	GB827-86	Rivet	2 × 5	24
42	C6246B-101006	Plate		1
43	C6246B-101012	Fork		1
44	C6246B-101012-1	Fork		1
45	C6246B-101005-1	Gear		1
46	GB1235-76	O-Ring	20 × 2.4	6
47	C6246B-101005	Gear		2
48	GB879-86	Spring Pin	5 × 26	6
49	GB79-85	Screw	M6 × 6	3
50	C6246B-101018	Lever		1
51	RUN6246-101065	Shaft		2
52	GB1235-76	O-Ring	22 × 2.4	5
53	RUN6246-101072	Lever		2
54	RUN6246-101070-1	Washer		4
55	RUN6246-101099	Plate		4
56	RUN6246-101064	Gear		2
57	GB1096-79	Key	5 × 12	4
58	RUN6246-101071	Lever Head		3
59	C6246B-101008	Fork		1
60	C6246B-101009	Lever		1
61	GB894.1-86	Circlip	10	2
62	C6246B-101017-1	Shaft		1
63	RUN6246-101077A	Handle		1
64	C6246B-101010	Lever		2
65	C6246B-101015	Fork		1
66	GB879-86	Spring Pin	4 × 26	2
67	C6246B-101016	Lever		1
68	C6246B-101017	Shaft		1
69	GB77-85	Screw	M4 × 20	5
70	GB812-88	Nut	M30 × 1.5	1
71	GB858-88	Nut	30	1
72	RUN6246-101011	Pulley		1
73	HG4-692-67	Oil Seal	PD40 × 62 × 12	1
74	GB278-89	Ball Bearing	1080908	1
75	GB893.1-86	Snap Ring	62	1
76	GB70-85	Socket Head Cap Screw	M6 × 30	4
77	C6246B-101024	Bearing Cap		1
78	C6246B-101024-1	Bearing Seat Seal		1
79	GB278-89	Ball Bearing	80306	1

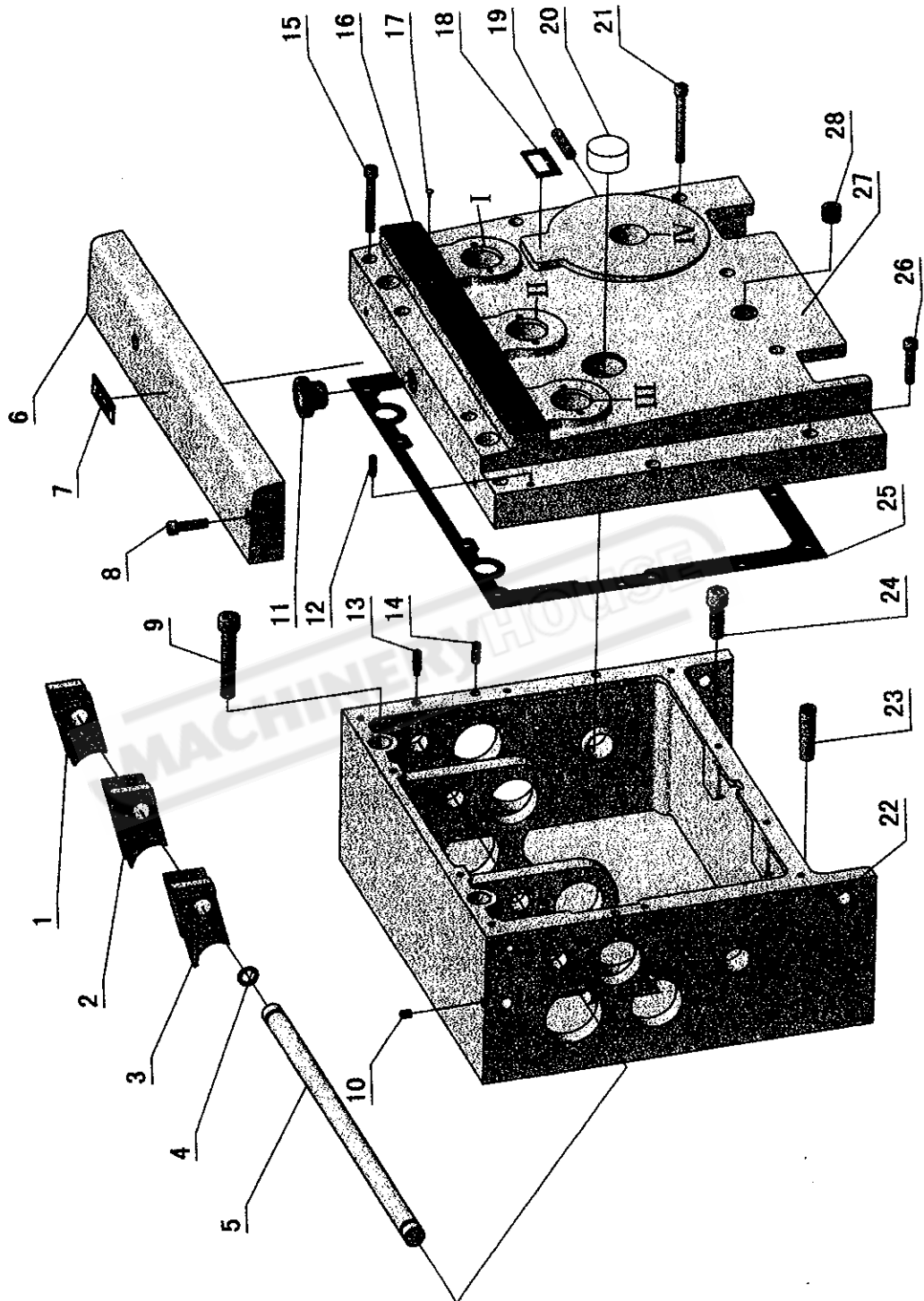
No.	Part No.	Name	Specification	Qty.
80	GB1096-79	Flat Key	8 × 40	1
81	C6246B-101080	Input Shaft		1
82	GB1096-79	Flat Key	8 × 70	1
83	C6246B-101026	Gear		1
84	C6246B-101027	Gear		1
85	GB278-89	Ball Bearing	80205	2
86	C6246B-101028	Spacer		3
87	C6246B-101029	Gear		1
88	C6246B-101030	Gear		1
89	C6246B-101031	Gear		1
90	GB278-89	Ball Bearing	80206	1
91	C6246B-101032	Gear		1
92	C6246B-101033	Gear		1
93	C6246B-101035	Spline Shaft		1
94	GB278-89	Ball Bearing	80305	1
95	C6246B-101034-2	Washer		1
96	GB893.1-86	Snap Ring	62	1
97	GB3452.1-82	O-Ring	56 × 2.65	1
98	RUN6246-101019-1	Plug		1
99	GB70-85	Socket Head Cap Screw	M6 × 16	3
100	C6246B-101079	Bearing Cover		1
101	C6246B-101079-1	Bearing Cover Seal		1
102	GB278-89	Ball Bearing	80205	1
103	C6246B-101077	Gear		1
104	GB1096-79	Flat Key	8 × 20	1
105	C6246B-101076	Gear		1
106	GB894.1-86	Snap Ring	52	1
107	GB894.1-86	Snap Ring	34	2
108	GB894.1-86	Snap Ring	48	1
109	C6246B-101039	Gear		1
110	C6246B-101040	Gear		1
111	C6246B-101041	Gear		1
112	GB1096-79	Flat Key	8 × 32	1
113	C6246B-101078	Spline Shaft		1
114	GB278-89	Ball Bearing	80205	1
115	C6246B-101028	Spacer		3
116	GB278-89	Ball Bearing	80205	1
117	GB894.1-86	Snap Ring	75	1
118	C6246B-101036-1	Flat Key		2
119	C6246B-101038	Gear		1

No.	Part No.	Name	Specification	Qty.
120	C6246B-101036	Gear		1
121	GB894.1-86	Snap Ring	75	1
122	C6246B-101037	Spline Shaft		1
123	GB278-89	Ball Bearing	80305	1
124	C6246B-101034-2	Washer		1
125	GB893.1-86	Snap Ring	62	1
126	GB3452.1-82	O-Ring	56 × 2.65	1
127	RUN6246-101019-1	Protection Cover		1
128	GB79-85	Socket Head Set Screw	M6 × 8	4
129	C6246B-101073	Balance Block		2
130	C6246B-101074-1	Brass		1
131	GB79-85	Socket Head Set Screw	M10 × 10	1
132	C6246B-101074	Lock Nut		1
133	GB70-85	Socket Head Cap Screw	M6 × 20	4
134	C6246B-101075	Rear Bearing Cover		1
135	C6246B-101075-1	Rear Spindle Bearing Cover Sealer		1
136	C6246B-101072	Oil Ring		1
137	GB276-89	Ball Bearing	120	1
138	C6246B-101071	Shaft Ring		1
139	C6246B-101070	Gear		1
140	GB79-85	Socket Head Set Screw	M8 × 10	3
141	C6246B-101045	Lock Nut		1
142	GB297-84	Ball Bearing	D2007122E	1
143	C6246B-101046	Lock Nut		1
144	C6246B-101047	Gear		1
145	C6246B-101048	Gear		1
146	GB297-84	Ball Bearing	D2007124E	1
147	C6246B-101051-1	Front Bearing Cover Seal		1
148	C6246B-101051	Front Bearing Cover	D1-8	1
149	GB70-85	Socket Head Cap Screw	M6 × 40	5
150	C6246B-101049-1	Spindle		1
151	GB1096-79	Flat Key	10 × 80	1
152	GB1096-79	Flat Key	10 × 90	1
153	RUN6246-101082-1	Spring		6
154	C6246B-101042	Cam Lock For D1-8		6
155	C6246B-101050	Cam Screw For D1-8		6
156	C6246B-101044	Screw For D1-8		6
157	GB70-85	Socket Head Cap Screw	M6 × 16	1
158	RUN6246-101048	Spacer		1
159	C6246B-101061	Stationary Pulley Shaft		1

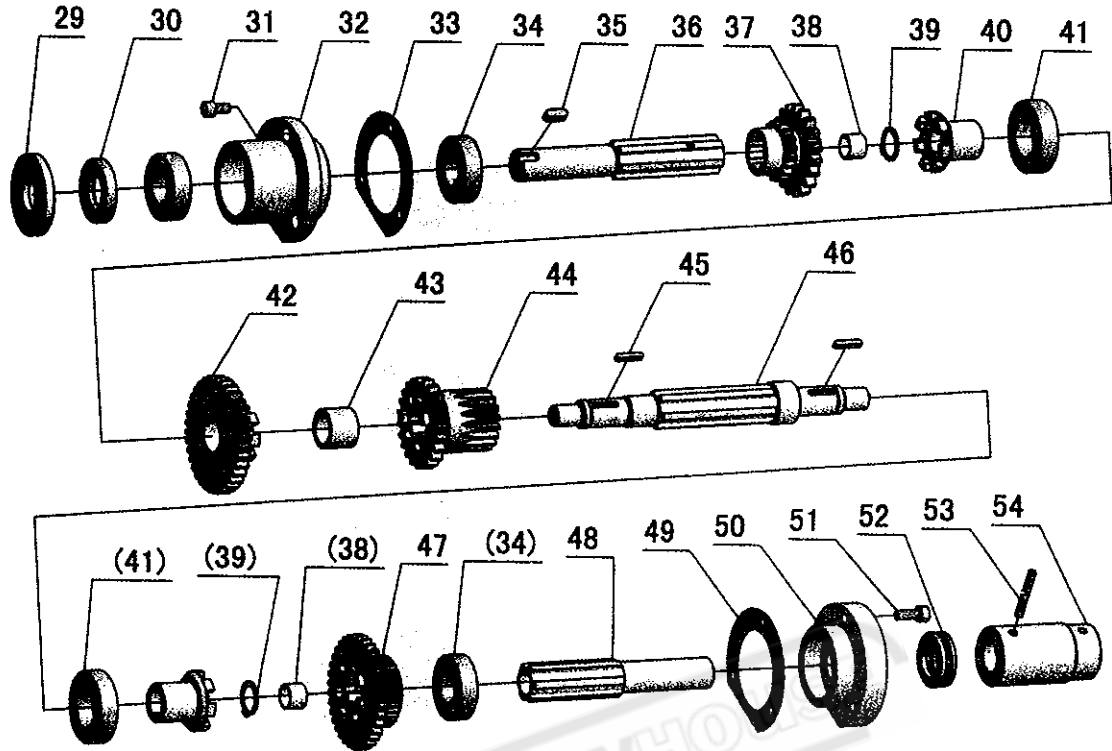
No.	Part No.	Name	Specification	Qty.
160	GB1235-76	O-Ring	30 × 2.4	1
161	C6246B-101059	Spacer		1
162	C6246B-101060-1	Brass		1
163	C6246B-101060	Stationary Pulley		1
164	C6246B-101059	Spacer		1
165	GB894.1-86	Snap Ring	30	1
166	GB70-85	Socket Head Cap Screw	M6 × 16	3
167	C6246B-101068	Bearing Cover		1
168	C6246B-101068-1	Bearing Cover Seal		1
169	GB278-89	Ball Bearing	80205	1
170	C6246B-101066	Gear		1
171	C6246B-101069	Shaft		1
172	GB1096-79	Flat Key	8 × 90	1
173	GB1096-79	Flat Key	8 × 70	1
174	GB894.1-86	Snap Ring	30	2
175	C6246B-101053	Gear		1
176	C6246B-101052	Gear		1
177	GB70-85	Socket Head Cap Screw	M6 × 16	13
178	C6246B-101067	Bearing Cover		1
179	C6246B-101067-1	Bearing Cover Seal		1
180	GB278-89	Ball Bearing	80205	1
181	GB894.1-86	Snap Ring	30	2
182	GB894.1-86	Snap Ring	48	2
183	C6246B-101057	Gear		1
184	C6246B-101056	Gear		1
185	GB1096-79	Flat Key	6 × 56	1
186	C6246B-101055	Gear		1
187	C6246B-101065	Shaft		1
188	GB1096-79	Flat Key	8 × 90	1
189	HG4-692-67	Oil Seal	PD40 × 62 × 12	1
190	GB278-89	Ball Bearing	1080908	1
191	GB70-85	Socket Head Cap Screw	M6 × 20	3
192	C6246B-101063	Bearing Seat		1
193	C6246B-101063-1	Bearing Seat Seal		1
194	GB1096-79	Flat Key	6 × 28	1
195	C6246B-101064	Output Shaft		1
196	GB1096-79	Flat Key	8 × 40	1
197	GB1096-79	Flat Key	8 × 36	1
198	GB278-89	Ball Bearing	80206	1
199	GB894.1-86	Snap Ring	30	5

No.	Part No.	Name	Specification	Qty.
200	C6246B-101058	Gear		1
201	C6246B-101054	Gear		1
202	GB278-89	Ball Bearing	80205	1
203	GB1235-76	O-Ring	68 × 3.1	1
204	C6246B-101082	Protection		1
205	C6246B-101081	Gear		1
206	GB80-85	Screw	M6 × 12	2
207	SNBY2.5/0.5	Oil Pump	M14 × 1.5	1
208	C6246B-101088	Conjunctonal Block		1
209	25568	Tie-In		2
210	GB1527-79-M-T3	Brass Tube	10 × 0.75	1
211	25677	Double Taper Sheath		2
212	GB52-2	Washer	18	1
213	Wu-16 × 180-J	Filter		1
214	GB70-85	Screw	M6 × 55	3
215	GB1527-79-M-T3	Brass Tube	4 × 0.75	1
216	15326C	Tie-In		9
217	B1061C	Double Taper Sheath		9
218	C6246B-101084	Manifold		1
219	GB70-85	Socket Head Cap Screw	M5 × 25	2
220	B145C	Double Taper Sheath		2
221	25567	Tie-In		2
222	GB1527-79-M-T3	Brass Tube	8 × 0.75	1
223	C6246B-101086	Conjunctonal Block		1
224	G52-2	Washer	14	2
225	GB80-85	Screw	M6 × 16	1

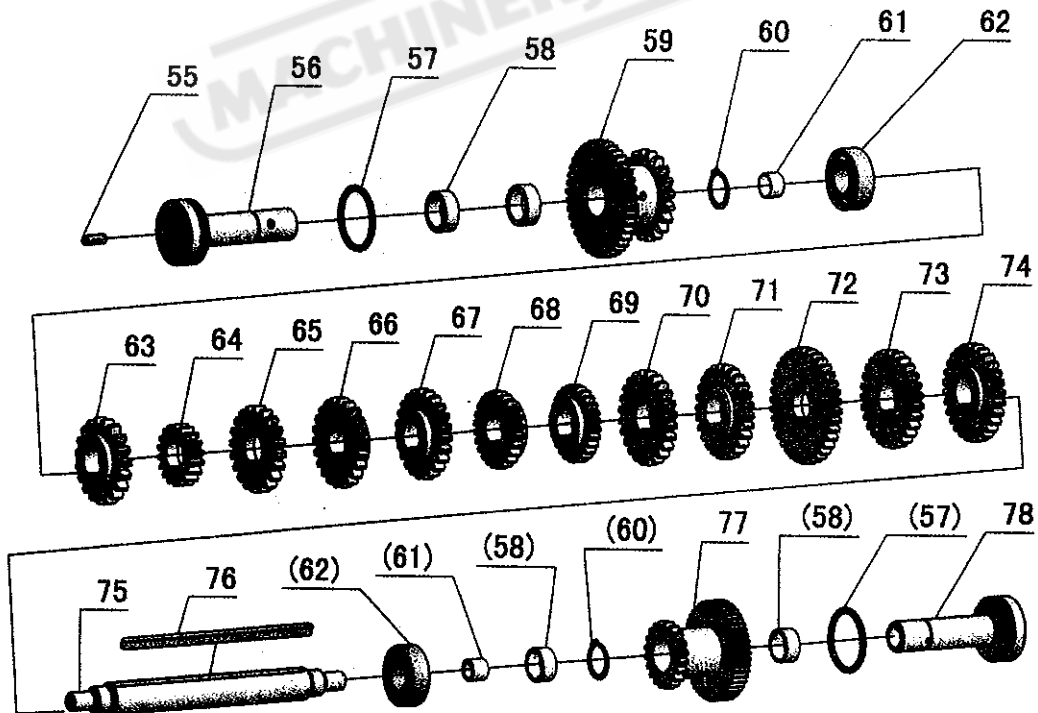
Gearbox

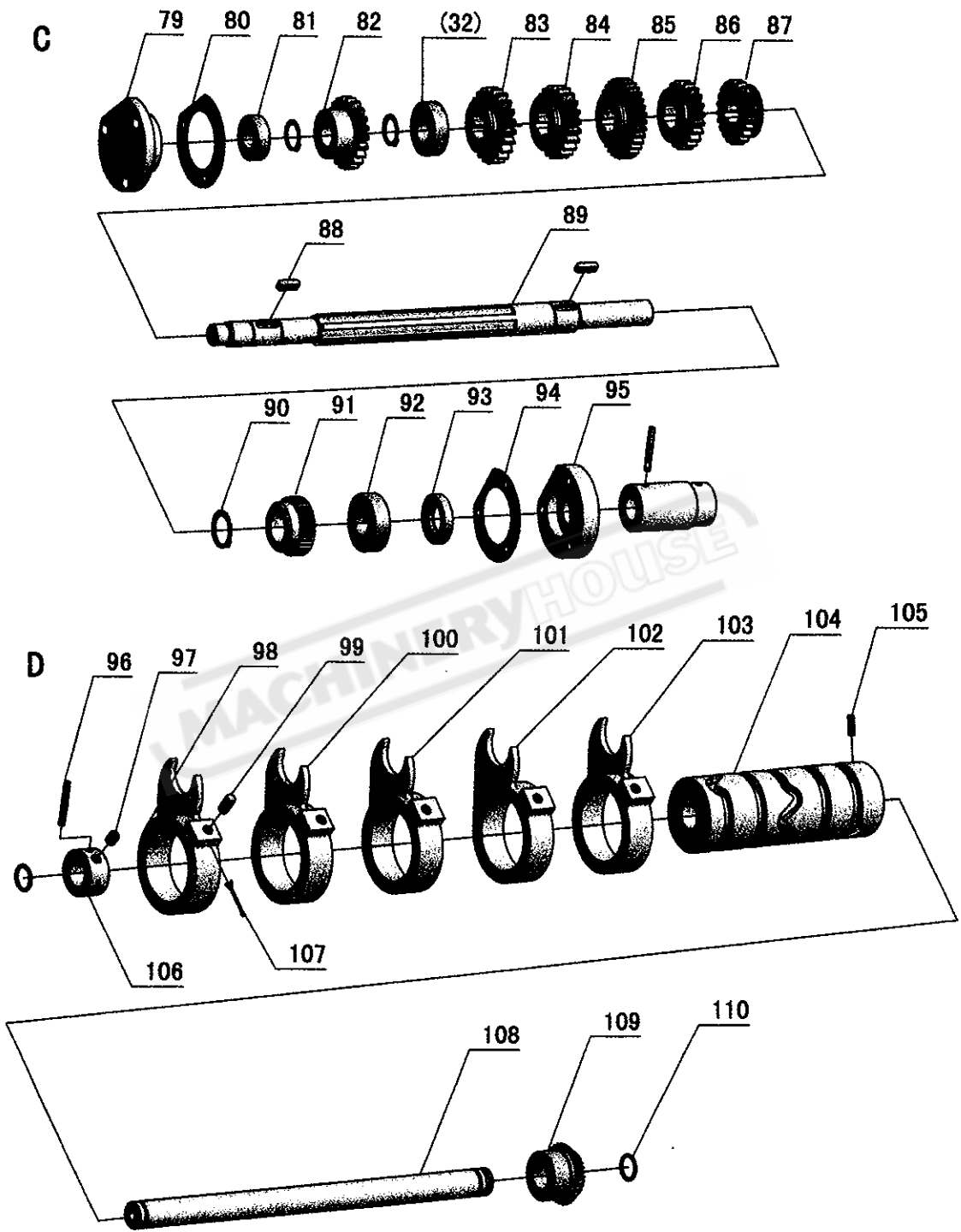


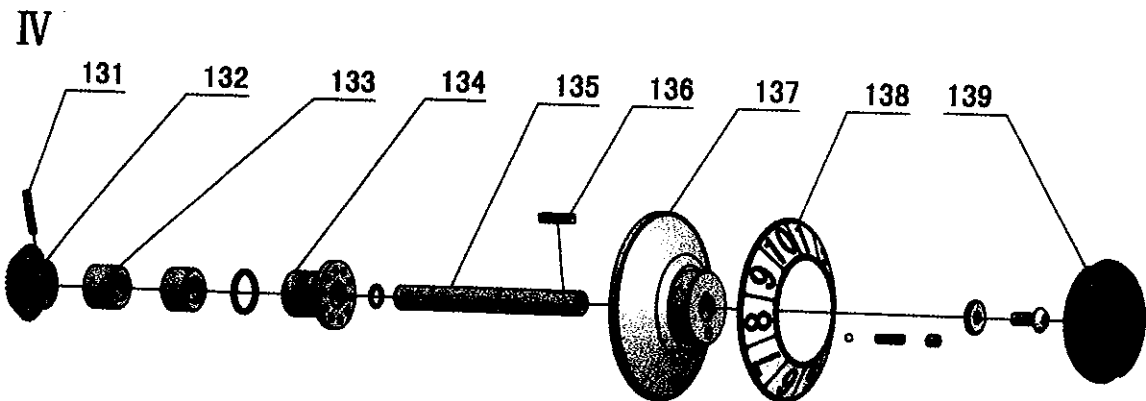
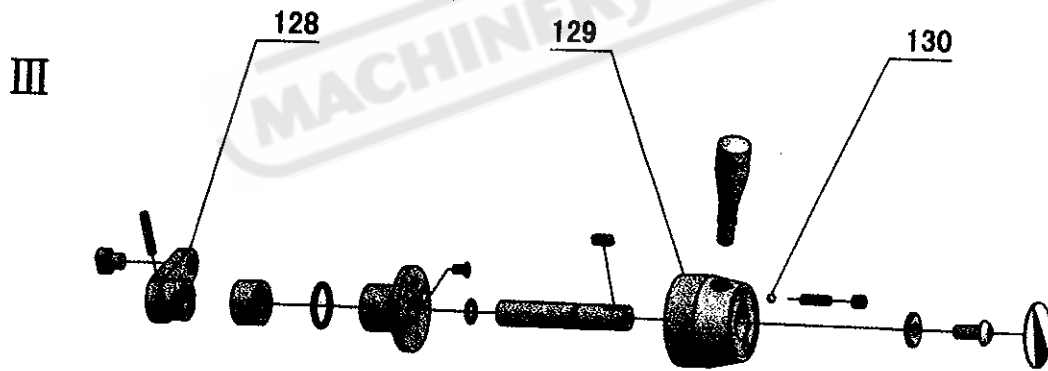
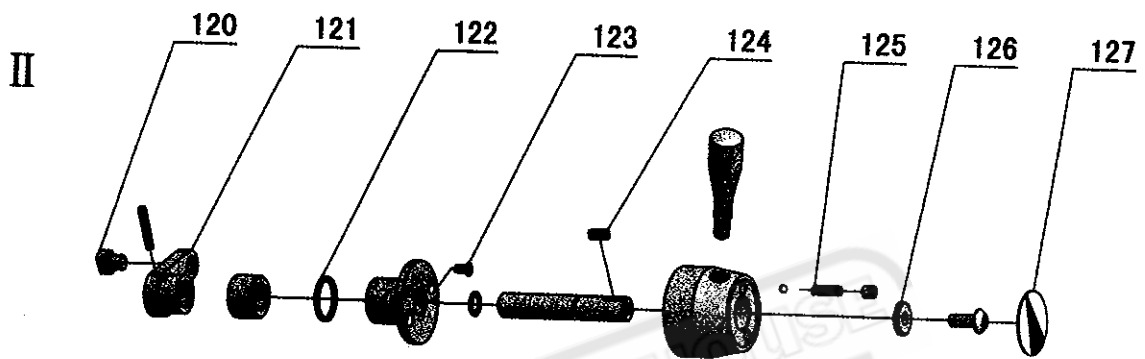
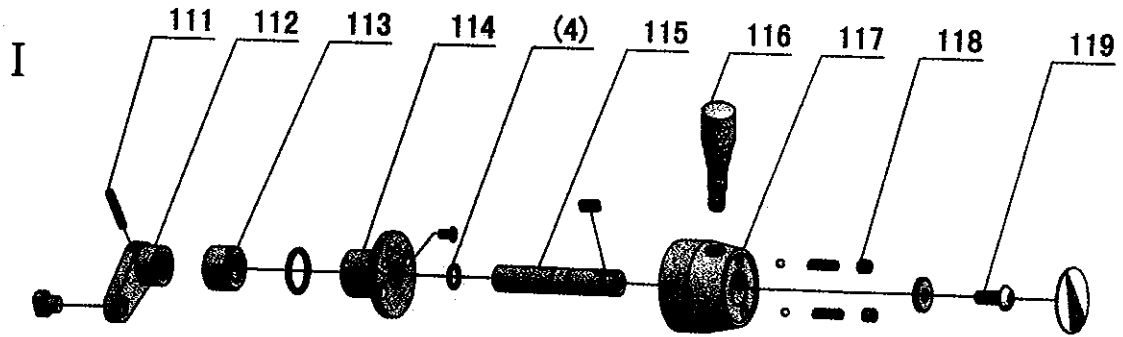
A



B







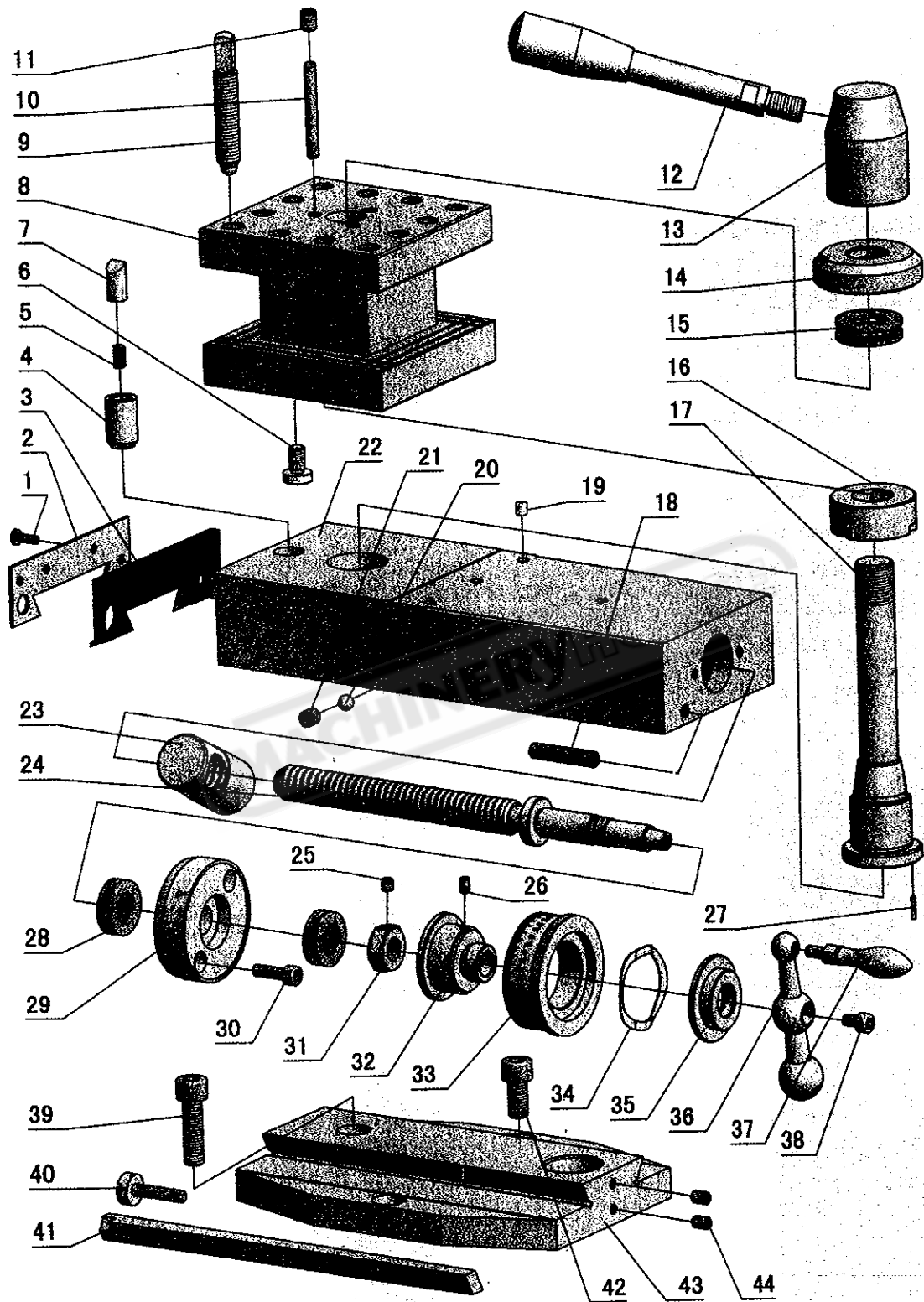
No.	Part No.	Name	Specification	Qty.
1	RUN6141-102070-1	Fork		1
2	RUN6246-102069	Fork		1
3	RUN6246-102069-1	Fork		1
4	GB1235-76	O-Ring	16 × 2.4	6
5	RUN6246-102077	Shaft		1
6	C6251A-05-06	Top Cover		1
7	RUN6246-102079	Plate		1
8	GB70-85	Screw	M6 × 30	2
9	GB70-85	Screw	M10 × 60	2
10	GB78-85	Screw	M6 × 8	1
11	RUN6246-103031	Oil Cover		1
12	GB879-86	Spring Pin	5 × 16	2
13	GB79-85	Socket Set Screw	M6 × 20	2
14	GB78-85	Screw	M6 × 16	2
15	GB70-85	Screw	M6 × 50	1
16	RUN6246-102080	Plate		1
17	GB827-86	Rivet	2 × 5	10
18	RUN6246-102081	Plate		1
19	GB78-85	Screw	M8 × 35	1
20	GB1160.1-89	Oil Sight Glass	20	1
21	GB70-85	Screw	M6 × 60	3
22	RUN6246-102001A	Gear Box		1
23	GB118-86	Taper Pin	10 × 45	2
24	GB70-85	Screw	M10 × 30	2
25	RUN6246-102001-2A	Sealed Mat		1
26	GB70-85	Screw	M6 × 30	3
27	RUN6141-102002A	Front Cover		1
28	G38-3A	Oil Plug	Z 3/8"	1
29	C6251A-05-05	Spacer		1
30		Oil-Seal	TC20 × 42 × 8	1
31	GB70-85	Socket Head Cap Screw	M6 × 12	6
32	RUN6246-102050	Cap		1
33	RUN6246-102050-1	Sealed Mat		1
34	GB278-89	Ball Bearing	80104	4
35	GB1096-79	Key	6 × 10	1
36	C6251A-05-04	B-Shaft		1
37	RUN6246-102048	Gear		1
38	SF-1	Ball Bearing	1410	2
39	GB894.1-86	Snap Ring	18	2
40	RUN6246-102047	Clutch		2

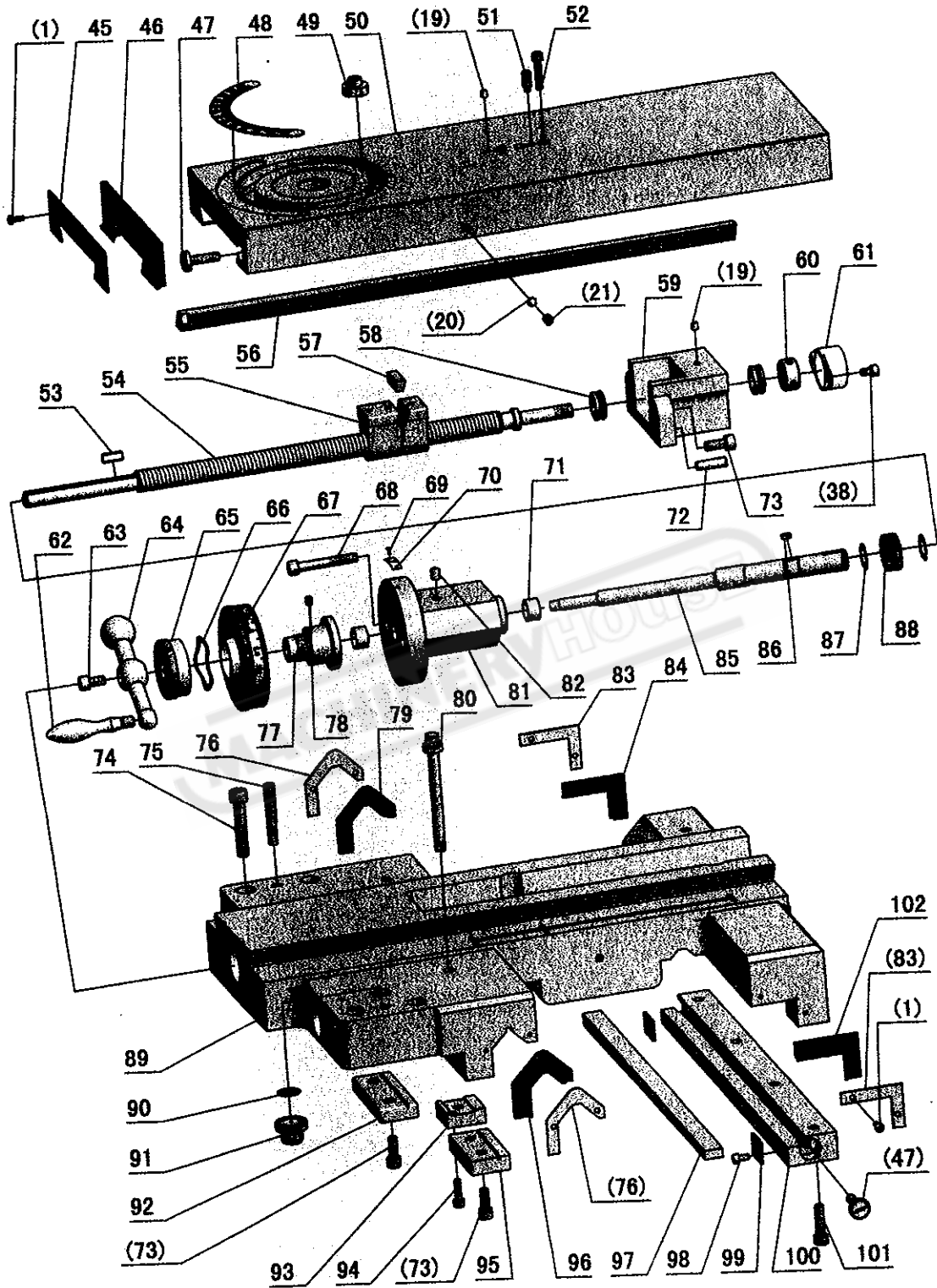
No.	Part No.	Name	Specification	Qty.
41	GB278-89	Ball Bearing	80105	2
42	RUN6246-102046	Gear		1
43	SF-1	Ball Bearing	2020	1
44	RUN6246-102045	Gear		1
45	GB1096-79	Key	4 × 20	2
46	RUN6246-102044	A-Shaft		1
47	RUN6141-102042-1	Gear		1
48	RUN6246-102041	C-Shaft		1
49	RUN6246-102040-1	Sealed Mat		1
50	RUN6246-102040	Cap		1
51	GB70-85	Socket Cap Screw	M6 × 20	6
52	GB301-84	Thrust Bearing	8104	1
53	GB879-86	Spring Pin	5 × 35	2
54	C6251A-05-03	Collar-Linkage		1
54	RUN6246-102012	Collar-Linkage		2
55	GB78-85	Screw	M6 × 16	2
56	RUN6246-102023	E-Shaft		1
57	GB3452.1-82	O-Ring	35.5 × 3.55	2
58	SF-1	Ball Bearing	2012	4
59	RUN6246-102024	Gear		1
60	GB894.1-86	Snap Ring	20	4
61	SF-1	Ball Bearing	1218	2
62	RUN6246-102026	Gear		1
63	RUN6246-102027	Gear		1
64	RUN6246-102028	Gear		1
65	RUN6246-102029	Gear		1
66	RUN6246-102030	Gear		1
67	RUN6246-102031	Gear		1
68	RUN6246-102032	Gear		1
69	RUN6246-102033	Gear		1
70	RUN6246-102034	Gear		1
71	RUN6246-102035	Gear		1
72	RUN6246-102036	Gear		1
73	RUN6246-102037	Gear		1
74	RUN6246-102025	D-Shaft		1
75	GB1096-79	Key	6 × 146	1
76	GB278-89	Ball Bearing	80203	2
77	RUN6141-102038	Gear		1
78	RUN6246-102039	F-Shaft		1
79	RUN6246-102022	Cap		1

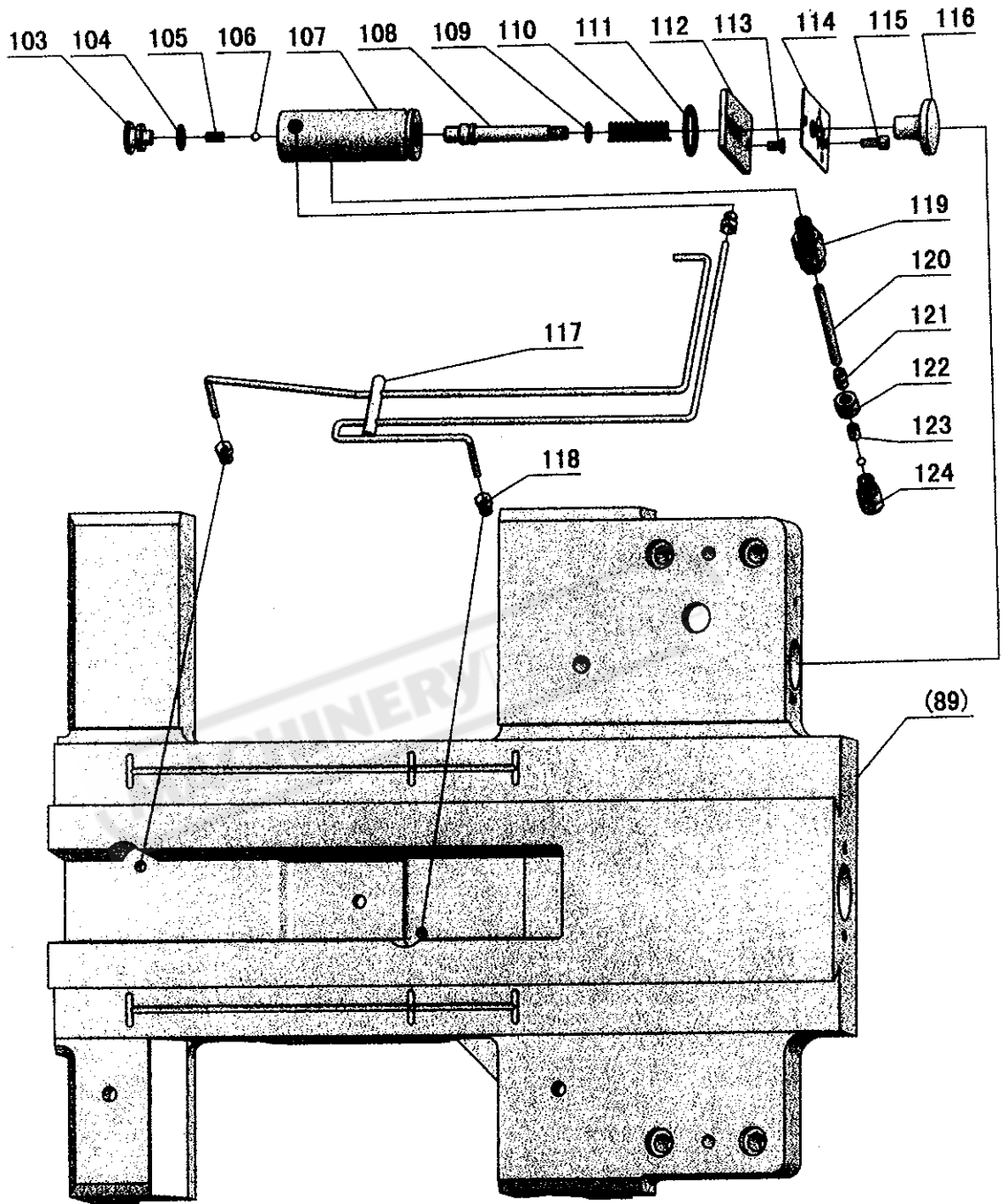
No.	Part No.	Name	Specification	Qty.
80	RUN6246-102022-1	Sealed Mat		1
81	GB278-89	Ball Bearing	80103	1
82	RUN6246-102020	Gear		1
83	RUN6246-102019	Gear		1
84	RUN6246-102018	Gear		1
85	RUN6246-102017	Gear		1
86	RUN6246-102016	Gear		1
87	RUN6246-102015	Gear		1
88	GB1096-79	Key	6 × 20	2
89	RUN6246-102021	G-Shaft		1
90	GB894.1-86	Snap Ring	25	1
91	RUN6141-102014-1	Gear		1
92	GB278-89	Ball Bearing	80204	1
93		Oil Seal	TC20 × 40 × 7	1
94	RUN6246-102013-1	Sealed Mat		1
95	RUN6246-102013	Cap-Right		1
96	GB879-86	Spring Pin	5 × 35	1
97	GB78-85	Socket Set Screw	M8 × 10	1
98	RUN6246-102008	Claw-Shifter		1
99	GB119-86	Pin	B8 × 16	5
100	RUN6246-102007	Claw-Shifter		1
101	RUN6246-102006	Claw-Shifter		1
102	RUN6246-102005	Claw-Shifter		1
103	RUN6246-102004	Claw-Shifter		1
104	RUN6246-102009	Cam Shifter		1
105	GB879-86	Spring Pin	5 × 16	2
106	RUN6246-102010	H-Shaft		1
107	GB91-86	Split Pin	2 × 30	5
108	RUN6246-102011	H-Shaft		1
109	RUN6246-102003	Bevel Gear		1
110	GB1235-76	O-Ring	22 × 2.4	2
111	GB879-86	Spring Pin	5 × 30	3
112	RUN6246-102066	Arm		1
113	RUN6141-102062-2	Spacer		4
114	RUN6246-102075	Detent Plate		3
115	RUN6141-102072	Shaft		3
116	RUN6246-102056-1	Lever		3
117	RUN6246-102076	Speed Change Handle		1
118	GB77-85	Screw	M8 × 8	5
119	RUN6246-101088	Screw		4

No.	Part No.	Name	Specification	Qty.
120	RUN6246-102073	Fork		3
121	RUN6246-102067	Arm		1
122	GB1235-76	O-Ring	30 × 3.1	4
123	GB819-85	Screw	M5 × 10	6
124	GB1096-79	Key	5 × 14	3
125	RUN6246-101066	Spring		5
126	RUN6246-101070-1	Washer		4
127	RUN6246-101099	Plate		3
128	RUN6246-102068	Arm		1
129	RUN6246-102065	Speed Change Handle		2
130	GB308-77	Steel Ball	1/4"	5
131	GB879-76	Spring Pin	5 × 30	1
132	RUN6246-102060	Bevel Gear		1
133	RUN6246-102062-1	Spacer		1
134	RUN6246-102062	Shaft Sleeve		1
135	RUN6141-102055	Shaft		1
136	GB1096-79	Key	5 × 28	1
137	RUN6246-102063	Selecting Dial		1
138	RUN6246-102082	Plate		1
139	RUN6246-102053	Wheel		1

Saddle







No.	Part No.	Name	Specification	Qty.
				16
1	GB818-85	Screw	M4 × 12	1
2	C6251A-07-44	Case-Wiper		1
3	C6251A-07-43	Wiper		1
4	RUN6246-103056-1	Sleeve		1
5	GB2089-80	Spring	1 × 5 × 18	1
6	RUN6246-103058-2	Adjust Screw (Flat Type)		3
7	RUN6246-103057-2	Round Pin		1
8	C6251A-07-45	Four Way Tool Post		1
8	C6251A-07-46	Block-Tee (T Type)		1
9	GB83-88	Screw	M12 × 55	12
10	GB119-86	Pin	D6 × 60	3
11	GB77-85	Screw	M8 × 10	3
12	RUN6246-103062	Clamping Handle		1
13	RUN6246-103061	Clamping Handle		1
14	RUN6246-103060	Washer		1
15	GB301-84	Thrust Bearing	8104	1
16	RUN6246-103058-1	Sleeve (Flat Type)		1
17	C6251A-07-42	Tool Post Shaft (Flat Type)		1
17	C6251A-07-42-1	Tool Post Shaft (T Type)		1
18	GB77-85	Screw	M8 × 40	1
19	GB1155-79	Ball Cup	6	6
20	GB308-84	Steel Ball	1/4"	2
21	GB80-85	Screw	M8 × 10	2
22	C6251A-07-50	Compound Rest (Flat Type)		1
22	C6251A-07-50-1	Compound Rest (T Type)		1
23	RUN6246H-103043-1	Nut (Metric)		1
23	RUN6246H-103043-2	Nut (Inch)		1
24	RUN6246-103043	Screw-Compound Rest (Metric)		1
24	RUN6246-103043-3	Screw-Compound Rest (Inch)		1
25	GB77-85	Screw	M6 × 6	1
26	GB80-85	Screw	M5 × 8	1
27	GB879-86	Spring Pin	2 × 12	1
28	GB301-84	Thrust Bearing	8102	2
29	RUN6246-103044	Seat Compound Rest Screw		1
30	GB70-85	Screw	M6 × 20	2
31	RUN6246-103044-1	Nut		1
32	RUN6246-103045	Collar		1
33	RUN6246-103046-1	Dial-Compound Rest (Metric)		1
33	RUN6246-103046-2	Dial-Compound Rest (Inch)		1
34	RUN6246-103047-1	Wave Type Washer		1

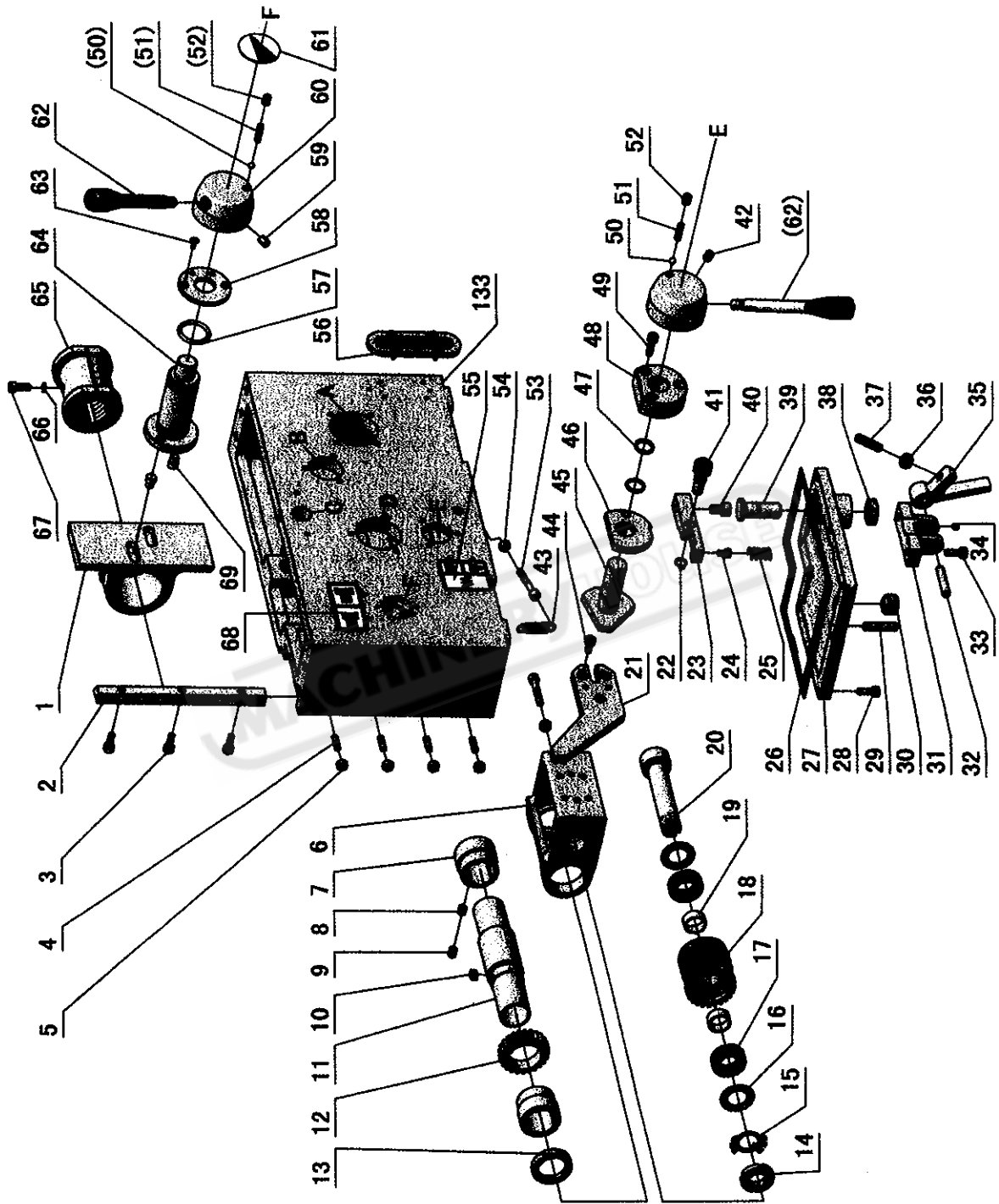
No.	Part No.	Name	Specification	Qty.
35	RUN6246-103047	Nut		1
36	RUN6246-103048	Handle		1
37	RUN6246-103049	Handle		1
38	GB70-85	Screw	M6 × 10	3
39	GB70-85	Screw (C6251A)	M10 × 55	1
39	GB70-85	Screw (C6256A)	M10 × 80	1
40	RUN6246-103037	Screw		1
41	C6251A-07-51	Gib		1
42	GB70-85	Screw (C6251A)	M10 × 40	2
42	GB70-85	Screw (C6256A)	M10 × 65	2
43	C6251A-07-41	Swivel Table		1
43	C6256A-07-41	Swivel Table		1
44	GB80-85	Screw	M6 × 10	2
45	C6251A-07-39	Case-Wiper		1
46	C6251A-07-38	Wiper		1
47	RUN6246-103036	Screw		4
48	C6251A-07-02-1	Indicator Dial		1
49	RUN6246-103040	Nut		3
50	C6251A-07-02	Cover-Cross Sliding		1
51	GB79-85	Screw	M8 × 30	1
52	GB70-85	Socket Head Cap Screw	M6 × 35	3
53	RUN6246-103022-2	Key		1
54	C6251A-07-21Y	Cross Feed Screw (Inch)		1
54	C6251A-07-21	Cross Feed Screw (Metric)		1
55	RUN6141-103003	Nut (Metric)		1
55	RUN6141-103003-1	Nut (Inch)		1
56	C6251A-07-35	Gib		1
57	RUN6246-103004	Gib		1
58	GB301-84	Thrust Bearing	8101	2
59	RUN6141-103007	Bracket		1
60	RUN6246-103007-1	Nut		1
61	RUN6141-103105	Cover		1
62	RUN6246-103030A	Handle		1
63	GB70-85	Screw	M8 × 16	1
64	RUN6246-103029	Handle		1
65	RUN6246-103028	Nut		1
66	RUN6246-103025	Wave Type Washer		1
67	RUN6141-103027	Cross Feed Dial (Metric)		1
67	RUN6141-103027-1	Cross Feed Dial (Inch)		1
68	GB70-85	Socket Head Set Screw	M8 × 70	2

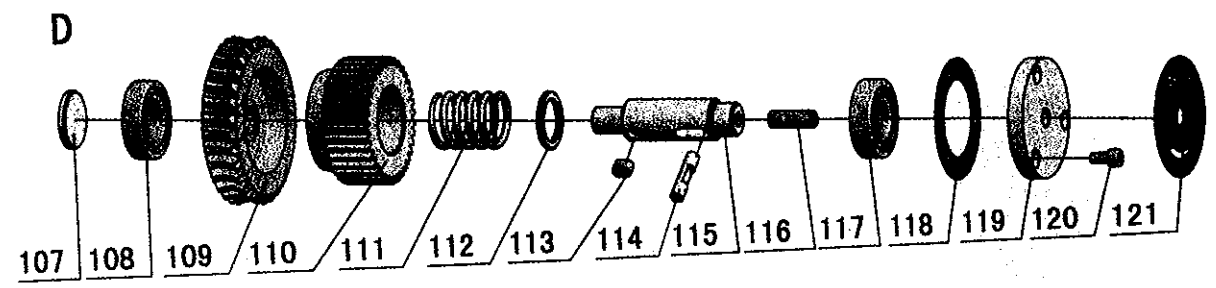
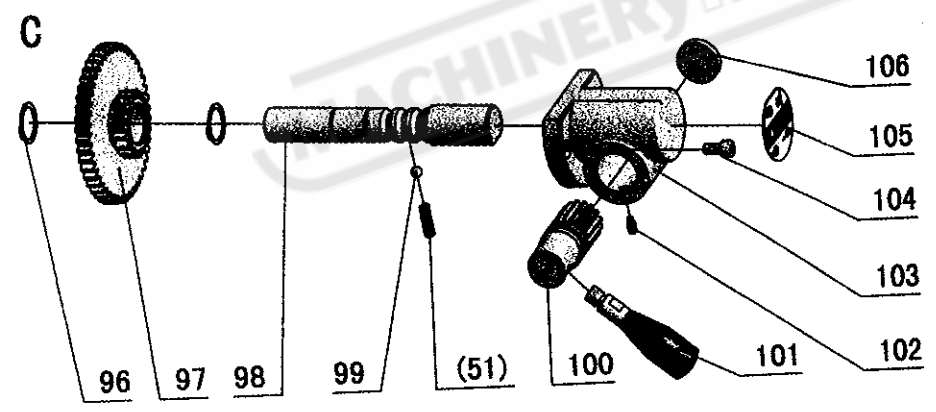
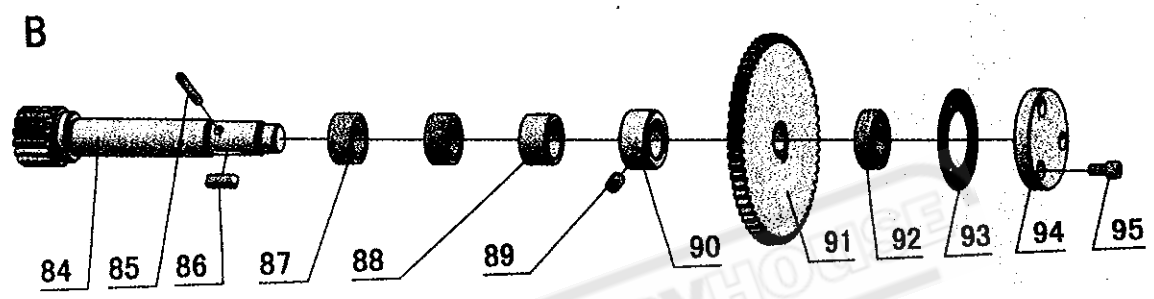
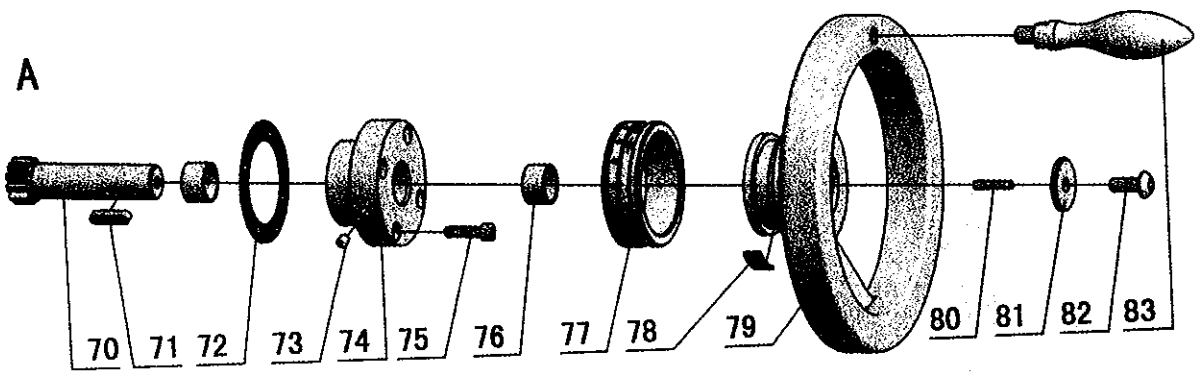
No.	Part No.	Name	Specification	Qty.
69	GB278-86	Screw	2 × 5	2
70	RUN460-105031	Plate		1
71	SF-1	Bearing	1810	2
72	GB118-86	Taper Pin	6 × 26	2
73	GB70-85	Screw	M8 × 20	6
74	GB70-85	Screw	M10 × 60	4
75	GB118-86	Taper Pin	8 × 60	2
76	C6251A-07-13	Case-Wiper		2
77	RUN6246-103026	Clutch-Dial		1
78	GB80-85	Screw	M6 × 8	1
79	C6251A-07-11	Wiper		1
80	RUN6246-103077	Bolt		1
81	C6251A-07-23	Bracket		1
82	GB1155-79	Ball Cup	8	1
83	C6251A-07-10	Case-Wiper		2
84	C6251A-07-08	Wiper		1
85	C6251A-07-22	Cross Feed Pinion		1
86	GB1567-79	Key	8 × 12	1
87	GB894-1-86	Snap Ring	24	2
88	C6251-A-07-22-2	Gear		1
89	C6251A-07-01	Saddle		1
90	RUN6246-103031-1	Plate		1
91	RUN6246-103031	Plug-Oil Inlet		1
92	C6251A-07-20	Gib-Front		1
93	RUN6246-103019	Clamp-Carriage		1
94	GB70-85	Screw	M6 × 20	1
95	C6251A-07-18	Gib-Left-Front		1
96	C6251A-07-12	Wiper		1
97	C6251A-07-15	Gib		1
98	GB70-85	Screw	M5 × 10	4
99	RUN6141-103016-1	Baffle		2
100	C6251A-07-16	Holder Gib		1
101	GB70-85	Screw	M8 × 30	4
102	C6251A-07-09	Wiper		1
103	RUN6246-103070	Oil Plug		1
104	GB1235-76	O-Ring	16 × 2.4	1
105	GB2089-80	Spring	0.5 × 4.5 × 16	1
106	GB308-84	Steel Ball	φ 5	2
107	RUN6246-103063	Body Pump		1
108	RUN6246-103064	Piston Rod		1

No.	Part No.	Name	Specification	Qty.
109	GB3452.1-82	O-Ring	9 × 1.8	1
110	RUN6246-103065	Spring		1
111	GB1235-76	O-Ring	32 × 3.1	1
112	RUN6246-103066	Bottom Board		1
113	GB68-85	Screw	M5 × 10	2
114	RUN6246-103068	Plate		1
115	GB70-85	Screw	M5 × 12	2
116	RUN6246-103067	Plug		1
117	RUN6141-103106	Vitta welding		1
118		Tube Fitting	Z 1/8" × φ 4	3
119		Tube Fitting	Z 1/8" × φ 6	1
120		Brass Tube	φ 6 × 170	1
121	RUN6246-103071	Tube Fitting		1
122	RUN6246-103072	Nut		1
123	RUN6246-103073-2	Sleeve		1
124	RUN6246-103073-1	One Way Valve Ass		1

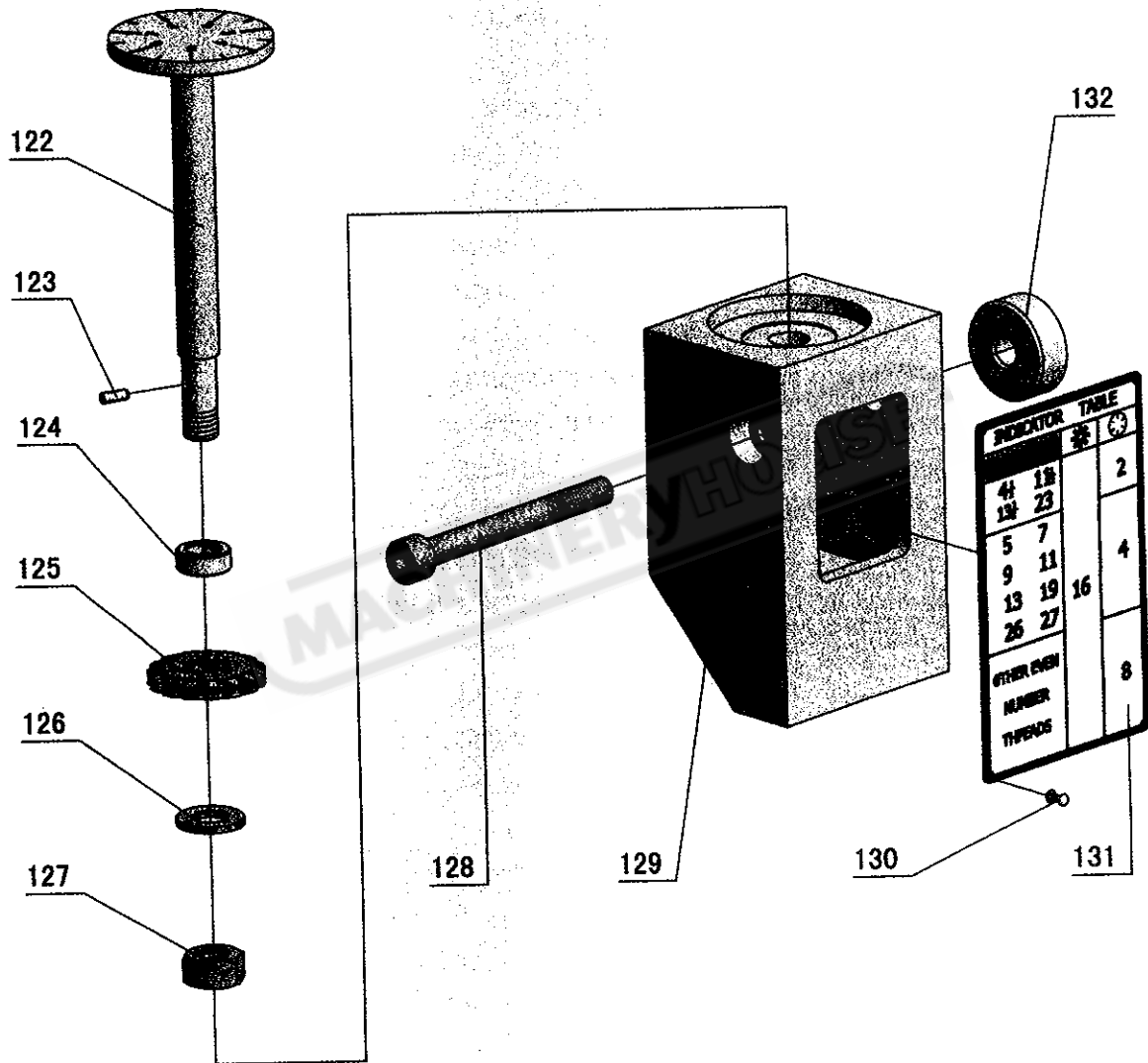
MACHINERYHOUSE

Apron





I



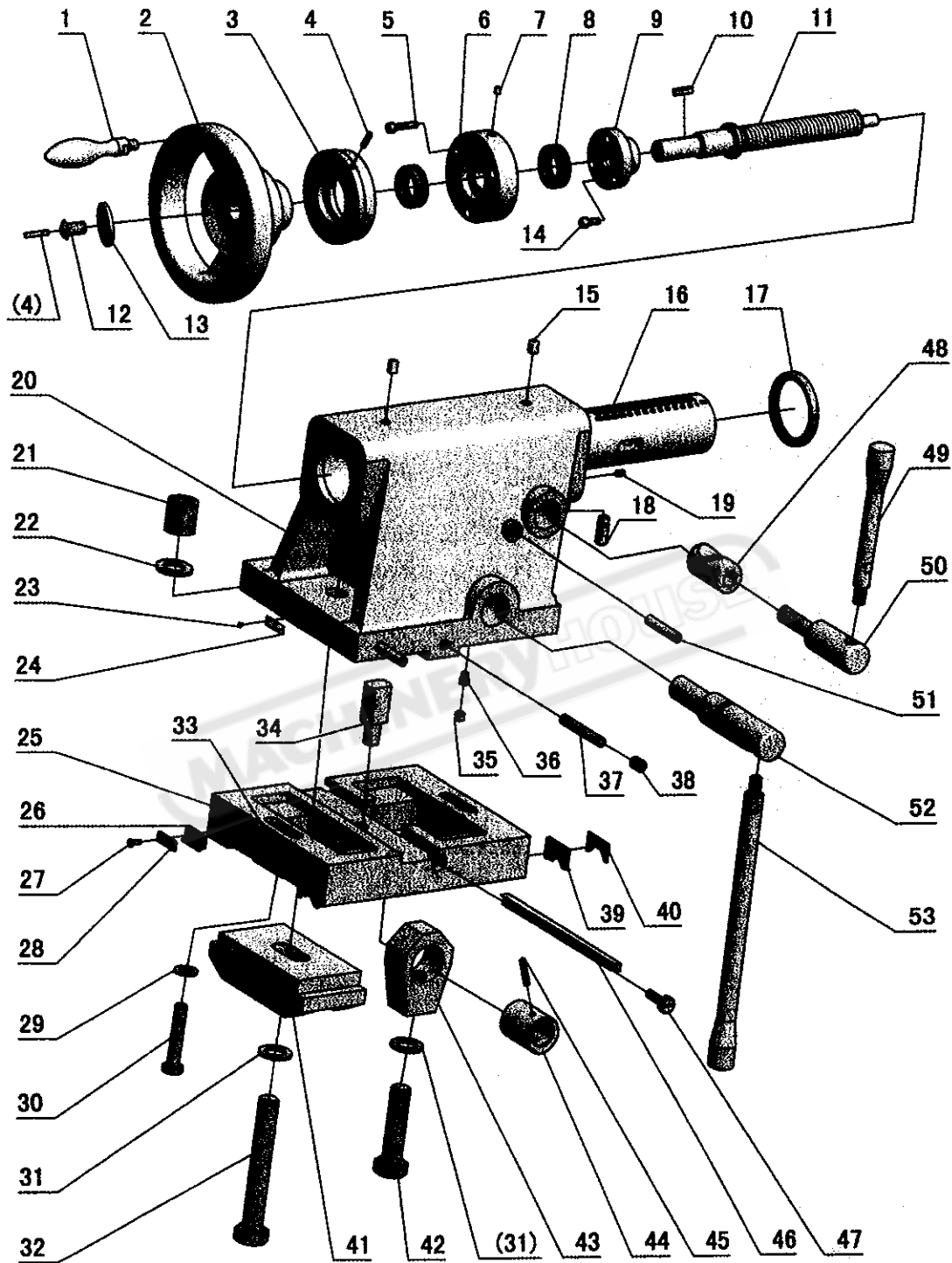
No.	Part No.	NAME	Specification	Qty
1	RUN460-104003A	LEAD NUT ASSY (RIGHT)		1
2	RUN460-104002	GIB		1
3	GB70-85	SCREW	M6 × 16	3
4	GB80-85	SCREW	M6 × 20	4
5	GB6170-86	NUT	M6	4
6	RUN460-104018-01	SEAT-WORM		1
7	RUN460-104015	BUSHING		2
8	GB80-85	SCREW	M8 × 10	2
9	GB77-85	SCREW	M8 × 10	2
10	GB1096-79	KEY	6 × 12	1
11	RUN460-104016	SLEEVE-FEED ROD		1
12	RUN460-104017	GEAR		1
13		OIL SEAL	TC32 × 42 × 8	2
14	GB812-88	NUT	M20 × 1.5	1
15	GB858-88	NUT	20	1
16	RUN6246-104020-1	WASHER		2
17	GB301-84	THRUST BEARING	8104	2
18	RUN460-104020	WORM GEAR		1
19	CB85-2010	SET	20	2
20	RUN6246-104019	SHAFT		1
21	RUN460-104023-01	SAFE DEVICE BLOCK		1
21	RUN460-104023-02	SAFE DEVICE BLOCK (LEFT)		1
22	GB894.1-86	SNAP RING	10	1
23	RUN460-104030	LEVER		1
24	GB70-85	SCREW	M5 × 8	1
25	RUN460-104032	SPRING		1
26	RUN460-104011	BOTTOM COVER		1
27	RUN460-104011-1	SEALED MAT		1
28	GB70-85	SCREW	M6 × 16	9
29	GB77-85	SCREW	M6 × 35	1
30	G38-3A	OIL PLUG	Z 3/8"	1
31	RUN460-104012	BRACKET		1
32	GB119-86	PIN	B8 × 40	1
33	GB70-85	SCREW	M6 × 16	2
34	GB80-85	SCREW	M6 × 6	1
35	RUN460-104014	LEVER		1
36	GB77-85	SCREW	M8 × 30	1
37	GB6170-86	NUT	M8	1
38		OIL SEAL	TC15 × 25 × 7	1
39	RUN460-104010	PIN		1

No.	Part No.	NAME	Specification	Qty
40	GB70-85	SCREW	M8 × 12	1
41	RUN460-104031	SCREW		1
42	GB80-85	SCREW	M8 × 10	1
43	RUN460-104022-01	SPRING		1
44	GB70-85	SCREW	M6 × 12	3
45	RUN460-104026-01	SHAFT (RIGHT HAND)		1
46	RUN460-104027	BUFFER		1
47		O-RING	20 × 24	2
48	RUN460-104028	SLEEVE		1
49	GB70-85	SCREW	M6 × 20	3
50	GB308-84	STEEL BALL	1/4"	2
51	RUN6246-101066	SPRING		3
52	GB77-85	SCREW	M8 × 10	2
53	GB70-85	SCREW	M6 × 35	2
54	GB6170-86	NUT	M6	2
55	RUN6246-104074	KNOB (RIGHT HAND)		1
56	RUN460-104068	OIL SIGHT		1
57	GB1235-76	O-RING	32 × 35	2
58	RUN6246-104007-01	SHAFT SLEEVE (RIGHT)		1
58	RUN6246-104007-02	SHAFT SLEEVE (LEFT)		1
59	GB80-85	SCREW	M8 × 10	1
60	RUN460-104007-02	SHAFT SLEEVE (RIGHT)		1
61	RUN6246-101099	PLATE		1
62	RUN460-104008	LEVER		2
63	GB819-85	SCREW	M4 × 10	2
64	RUN460-104006-01	SHAFT (RIGHT HAND)		1
64	RUN460-104006-02	SHAFT (LEFT HAND)		1
65	C6251A-06-01	HAFT NUT (METRIC)		1
65	C6251A-06-01Y	HAFT NUT (INCH)		1
66	GB93-87	SPRING PIN	6	2
67	GB70-85	SCREW	M6 × 16	2
68	RUN460-104073	PLATE (RIGHT HAND)		1
69	RUN460-104005	KEY		2
70	RUN460-104051	SHAFT		1
71	GB1096-79	KEY	6 × 25	1
72	RUN460-104052-1	SEALED MAT		1
73	GB1155-89	BALL CUP	6	1
74	RUN460-104052	SEAT		1
75	GB70-85	SCREW	M6 × 25	4
76	SF-1	BEARING	2010	2

No.	Part No.	NAME	Specification	Qty
77	RUN460-104054-01	DIAL-RACK (METRIC)		1
78	Q67-4-33	SPRING	80	1
79	RUN460-104055	HAND WHEEL		1
80	GB77-85	SCREW	M4 × 20	1
81	RUN460-104057	WASHER		1
82	RUN6246-101088	SCREW		1
83	RUN460-104056A	HANDLE		1
84	RUN460-104047	PINON		1
85	GB879-86	PIN	5 × 35	1
86	GB1096-79	KEY	6 × 20	1
87	GB5801-86	NEEDLE BEARING	4644903	2
88	RUN460-104053	SLEEVE		1
89	GB80-85	SCREW	M8 × 12	1
90	RUN460-104048	SPACER		1
91	RUN460-104049	GEAR		1
92	GB278-89	BALL BEARING	80103	1
93	RUN460-104050-1	SEALED MAT		1
94	RUN460-104050	COVER		1
95	GB70-85	SCREW	M6 × 12	3
96	GB894.1-86	SNAP RING	20	2
97	RUN460-104041	GEAR		1
98	RUN460-104042	SHAFT		1
99	GB308-84	STEEL BALL	7/32"	1
100	RUN460-104044	CHANGE GEAR		1
101	RUN460-104045	HANDLE LEVER		1
102	GB79-85	SCREW	M5 × 10	1
103	RUN460-104043	CHANGE SLEEVE		1
104	GB70-85	SCREW	M6 × 12	2
105	RUN460-104077	PLATE		1
106	RUN460-104043-1	PLUG		1
107	RUN460-104036-1	COVER		1
108	GB278-89	BALL BEARING	180105	1
109	RUN460-104034	WORM GEAR		1
110	RUN460-104035	GEAR		1
111	RUN460-104038	SPRING		1
112	RUN460-104039	SPACER		1
113	GB1096-79	KEY	8 × 12	1
114	RUN460-104037	PIN		1
115	RUN460-104036	COVER		1
116	GB77-85	SCREW		1

No.	Part No.	NAME	Specification	Qty
117	GB278-89	BALL BEARING	80204	1
118	RUN460-104040-1	SEALED MAT		1
119	RUN460-104040	COVER		1
120	GB70-85	SCREW	M6 × 12	3
121	RUN6246-104072	PLATE		1
122	RUN460-104059B	DIAL INDICATOR SHAFT		1
123	GB879-86	PIN	3 × 8	1
124	RUN460-104046	SPACER		1
125	RUN460-104060	GEAR (METRIC)		1
126	GB97.2-85	WASHER	10	1
127	GB6170-86	NUT	M10	1
128	GB70-85	SCREW	M8 × 85	1
129	RUN460-104058	THREAD DIAL BODY		1
130	GB827-86	RIVET	2 × 5	10
131	RUN6246-104071	INDICATOR DIAL (METRIC)		1
132	RUN460-104024	SPACER		1
133	RUN6246-104001A	APRON (RIGHT HAND)		1
133	RUN460-104001B	APRON (LEFT HAND)		1

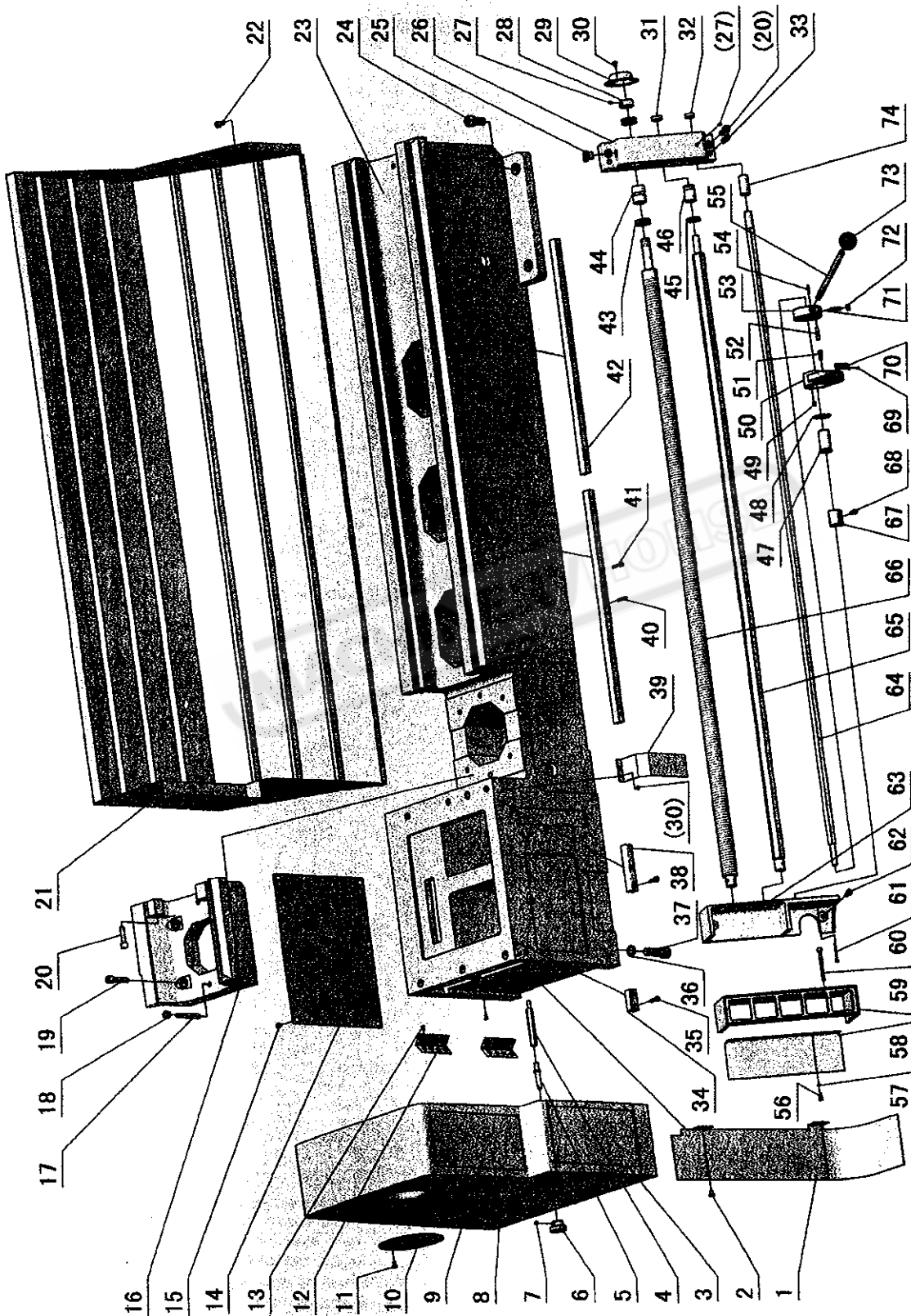
Tailstock

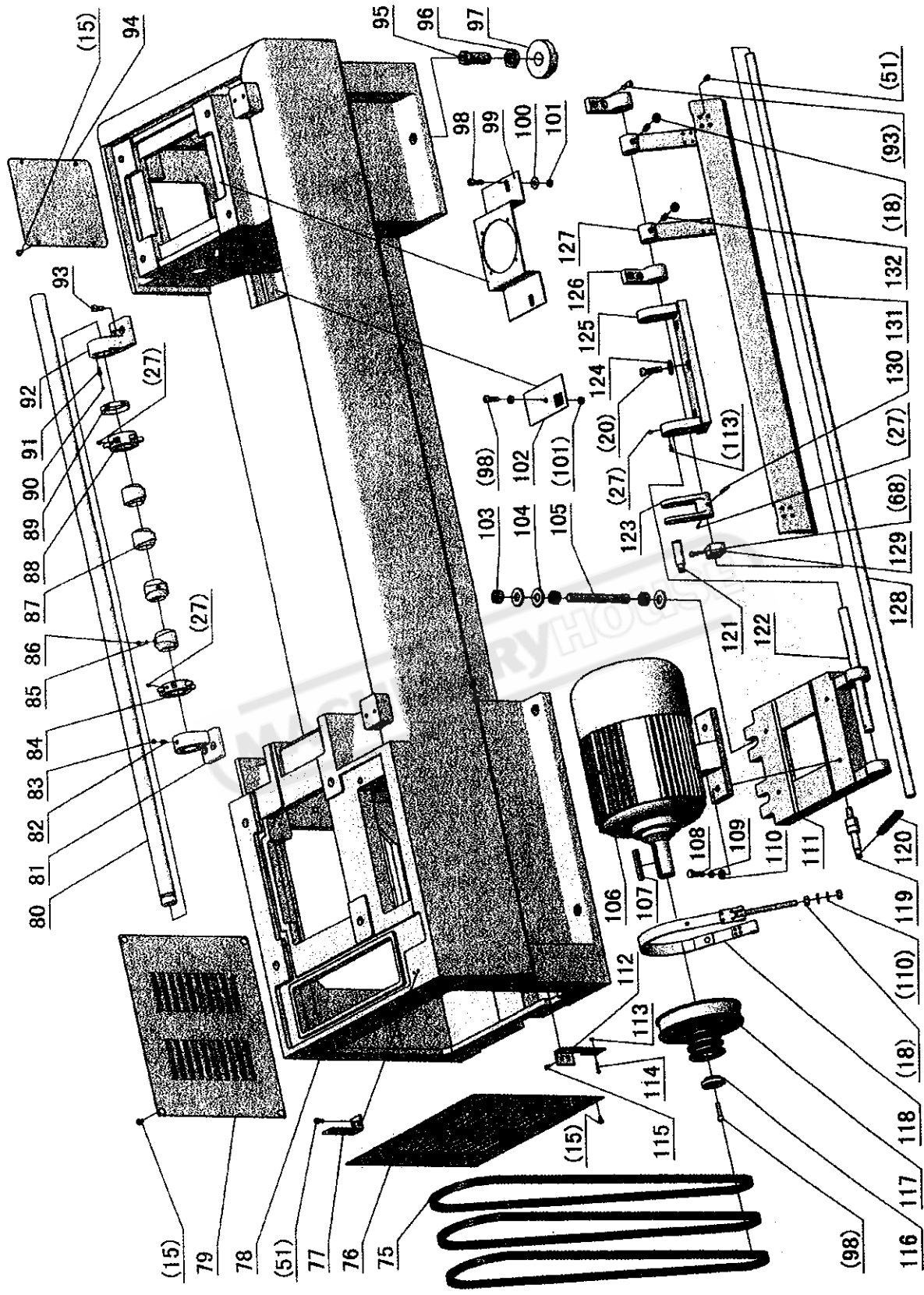


No.	Part No.	Name	Specification	Qty.
1	RUN460-104056A	Handle		1
2	C6246B-105010	Handle Wheel		1
3	C6251A-08A-03	Dial-Feed (Metric)		1
3	C6251A-08A-03Y	Dial-Feed (Inch)		1
4	GB80-85	Screw	M5 × 25	2
5	GB70-85	Screw	M6 × 35	3
6	C6251A-08A-02	Cap-Body End		1
7	GB1155-79	Ball Cup	6	1
8	GB301-84	Thrust Bearing	8105	2
9	C6246B-105005	Feed Nut (Metric)		1
9	C6246B-105005-1	Feed Nut (Inch)		1
10	GB1096-79	Key	6 × 16	1
11	C6251A-08A-01	Feed Screw (Metric)		1
11	C6251A-08A-01Y	Feed Screw (Inch)		1
12	C6266-08-18	Screw		1
13	C6266-08-19	Washer		1
14	GB70-85	Screw	M6 × 16	4
15	GB1155-79	Ball Cup	10	2
16	C6246B-105003	Tailstock Sleeve		1
17	HG4-692-67	Oil-Seal	PD75 × 95 × 12	1
18	C6246B-105030	Pin Shaft		1
19	GB80-85	Screw	M6 × 10	1
20	C6251A-08-01	Tailstock Body		1
21	GB56-88	Nut	M20	1
22	GB95-85	Washer	20	1
23	RUN460-105031	Plate		1
24	GB827-86	Rivet	2 × 5	4
25	C6251A-08-02	Bottom Tailstock		1
25	C6256A-08-02	Bottom Tailstock		1
26	C6251A-08-09	Wiper		2
27	GB818-85	Cross Recessed Head Screw	M4 × 12	8
28	C6251A-08-08	Case-Wiper		2
29	GB95-85	Washer	12	2
30	GB5782-86	Screw (C6251A)	M12 × 70	2
30	GB5782-86	Screw (C6256A)	M12 × 90	2
31	GB848-85	Washer	20	1
32	GB37-88	Bolt (C6251A)	M20 × 150	1
32	GB37-88	Bolt (C6256A)	M20 × 175	1
33	RUN460-105032	Plate		1
34	RUN460-105017	Block-Adjusting		1

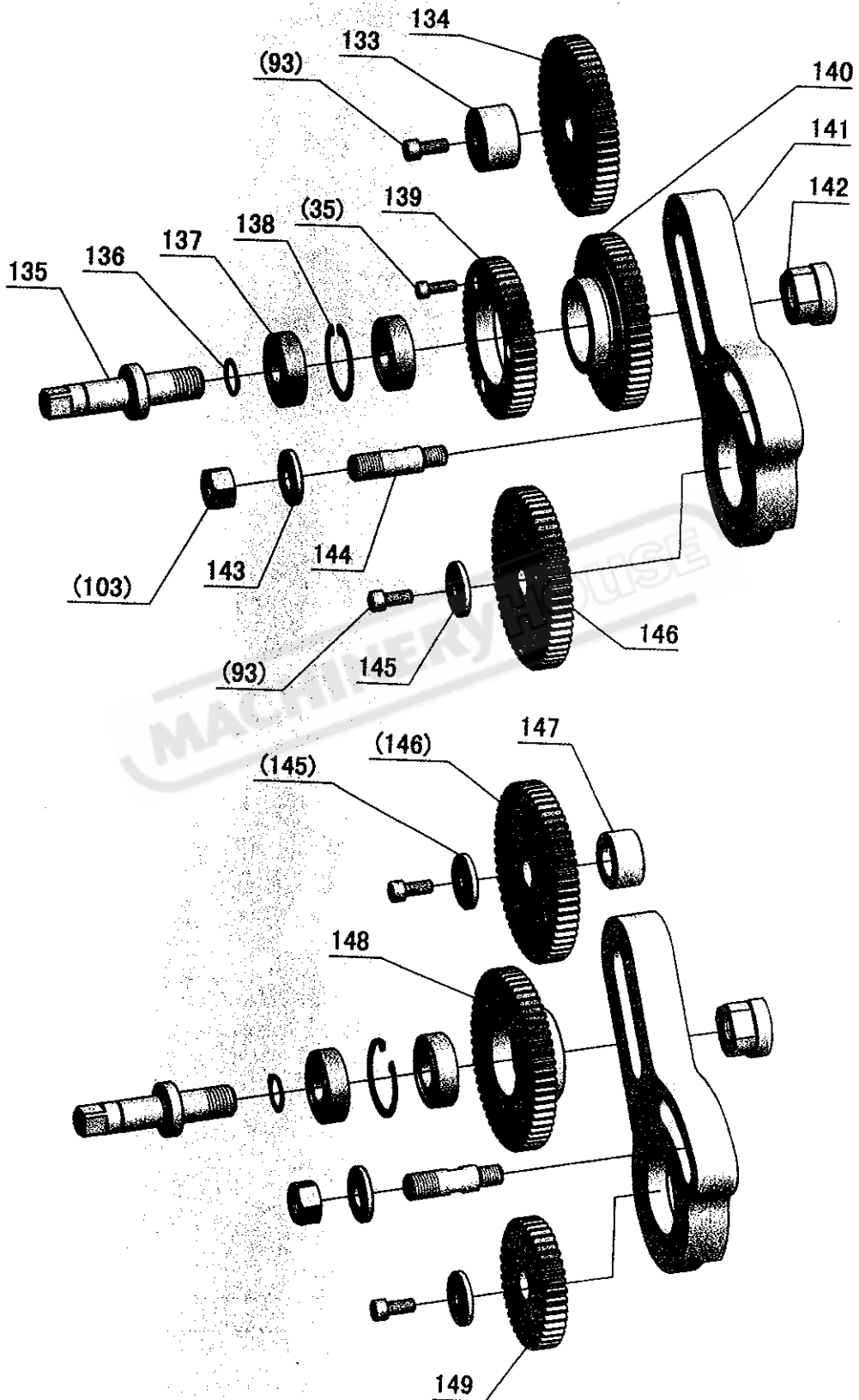
No.	Part No.	Name	Specification	Qty.
35	GB77-86	Screw	M10 × 8	1
36	GB79-85	Screw	M10 × 12	1
37	GB119-86	Pin Shaft	12 × 85	2
38	GB80-85	Screw	M16 × 20	2
39	C6251A-08-06	Wiper		2
40	C6251A-08-07	Case-Wiper		2
41	C6251A-08-03	Clamping Handle		2
42	GB5782-86	Screw (C6251A)	M20 × 100	1
42	GB5782-86	Screw (C6256A)	M20 × 125	1
43	RUN460-105018	Bracket		1
44	RUN460-105028	Eccentric Block		1
45	GB879-86	Spring Pin	6 × 36	1
46	C6246B-105012	Taper Gib Strip		1
47	RUN460-105020	Screw		1
48	C6246B-105021	Block Clamp		1
49	RUN460-105004	Lead Screw		1
50	C6251A-08-05	Shaft		1
51	RUN6246-105007	Screw-Brake		2
52	C6251A-08-04	Shaft		1
53	RUN460-105006	Lead Screw		1

Bed Assembly

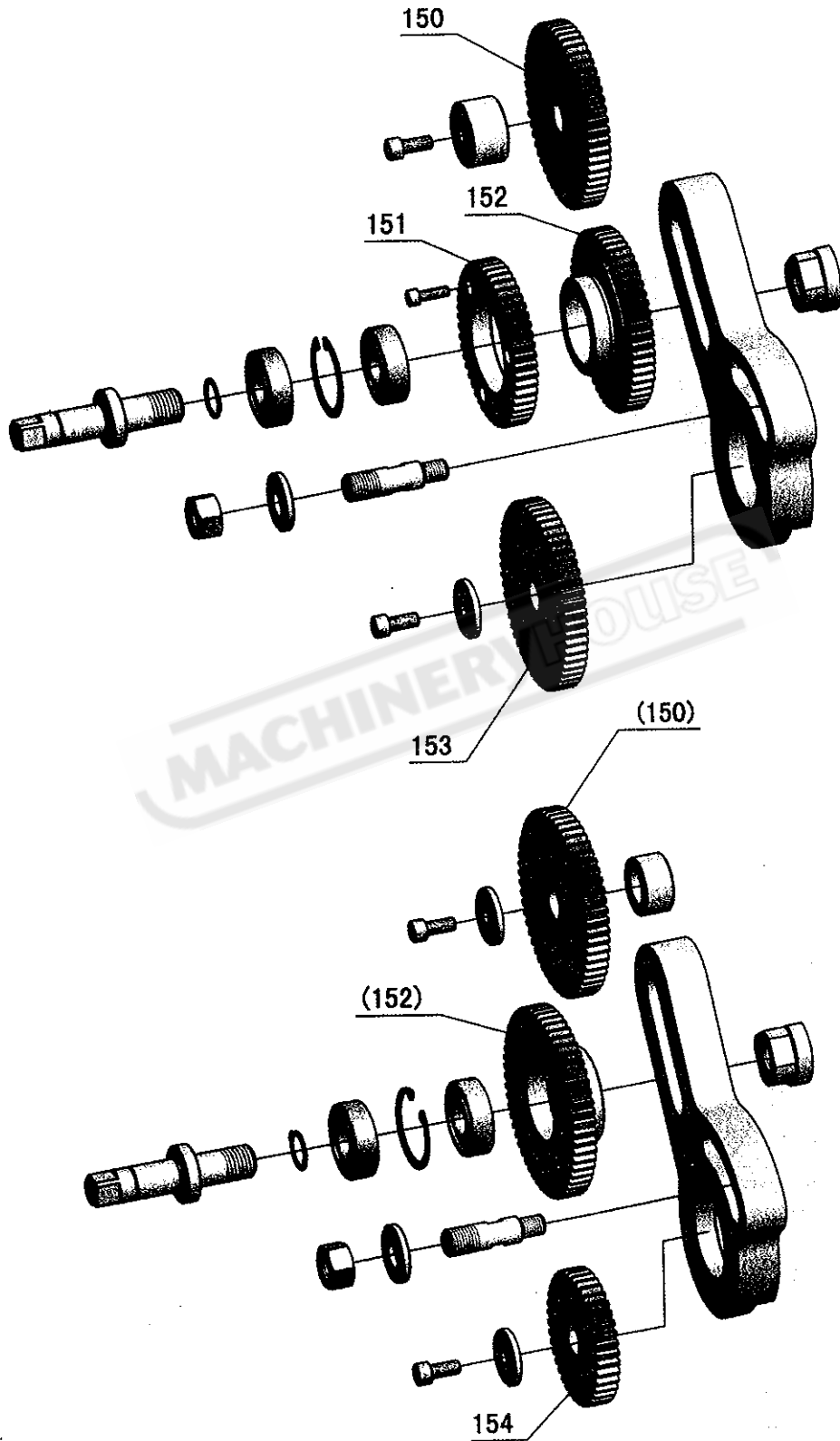




(Metric)



(Inch)



No.	Part No.	Name	Specification	Qty.
1	C6251A-01-20	Oil Guard		1
1	C6256A-01-20	Oil Guard		1
2	GB70-85	Screw	M6 × 10	2
3	RUN6246-108094	Plate		1
4	C6251A-05-12	Screw		1
5	RUN6246-108074	Screw		1
6	RUN6246-108073	Nut		1
7	GB79-85	Screw	M6 × 8	1
8	C6251A-04-02	Cover-End		1
8	C6256A-04-02	Cover-End		1
9	C6251A-04-04	Plate (Metric)		1
9	C6251A-04-04Y	Plate (Inch)		1
10	C6251A-04-05	Cover		1
11	GB/T70.2-2000	Screw	M6 × 10	1
12	GB7277-87	Hinge	100	2
13	GB68-85	Screw	M5 × 10	16
14	RUN6246-106071	Electric Cover		1
15	GB818-85	Screw	M6 × 10	16
16	C6251A-01-02	Bed Gap		1
17	GB118-86	Pin	10 × 70	2
18	GB6170-86	Nut	M10	6
19	GB70-85	Screw	M12 × 50	4
20	GB70-85	Screw	M10 × 40	7
21	C6251A-01-15A	Guard Assembly 1000		1
21	RUN6246-106072B	Guard Assembly 1500		1
21	RUN6246-106072C	Guard Assembly 2000		1
21	C6251A-01-15D	Guard Assembly 3000		1
22	GB70-85	Screw	M8 × 16	4
23	C6251A-01-01	Bed 1000		1
23	C6251A-01-01-1	Bed 1500		1
23	C6251A-01-01-2	Bed 2000		1
23	C6251A-01-01-5	Bed 3000		1
24	GB70-85	Screw	M16 × 35	4
25	RUN6246-106010-4	Plug-Oil Inlet		1
26	C6251A-01-07	Bracket		1
27	GB80-85	Screw	M6 × 8	
28	C6251A-01-04	Nut		1
29	RUN6246-106031	Cover		1
30	GB818-85	Screw	M5 × 8	5
31	RUN6246-106010-1	Plug		1

No.	Part No.	Name	Specification	Qty.
32	RUN6246-106010-2	Plug		1
33	GB118-86	Taper Pin	10 × 45	2
34	C6251A-01-19	Block		1
35	GB70-85	Screw	M6 × 25	7
36	GB93-86	Spring Washer	16	4
37	GB70-85	Screw	M16 × 55	4
38	C6251A-01-18	Block		1
39	RUN6246-106009	Protection Cover		1
40	GB879-86	Spring Pin	5 × 30	6
41	GB70-85	Screw	M6 × 25	8
42	C6251A-01-05	Rack (Left Hand)		1
42	RUN6246-106005B	Rack		1
42	RUN6246-106005C	Rack		1
43	GB301-84	Thrust Bearing	8105	2
44	C6251A-01-07-1	Bush		1
45	RUN6246-106010-7	Spacer		1
46	RUN6246-106008	Bush		1
47	RUN6246-106056	Shaft Sleeve		1
48	RUN6246-106058	Washer		1
49	Q81-1	Spring	1 × 6 × 20	3
50	RUN6246-106059	Switch Bracket		1
51	GB70-85	Screw	M6 × 16	12
52	RUN6246-106055	Pin		1
53	RUN6246-106053	Bracket		1
54	GB879-86	Spring Pin	3 × 20	1
55	RUN6246-106057A	Lever		1
56	GB70-85	Screw	M5 × 10	2
57	GB93-87	Washer	5	2
58	RUN6141-106018-1	Cover		1
59	RUN6141-106018	Seat-Pilot Light		1
60	GB70-85	Screw	M6 × 70	2
61	GB70-85	Screw	M4 × 40	2
62	GB70-85	Screw	M8 × 25	2
63	RUN6246-106016	Seat-Switch		1
64	C6251A-01-09	Started Rod 1000		1
64	C6251A-01-09-1	Started Rod 1500		1
64	C6251A-01-09-2	Started Rod 2000		1
64	C6251A-01-09-5	Started Rod 3000		1
65	C6251A-01-08	Feed Rod 1000		1
65	C6251A-01-08-1	Feed Rod 1500		1

No.	Part No.	Name	Specification	Qty.
65	C6251A-01-08-2	Feed Rod 2000		1
65	C6251A-01-08-5	Feed Rod 3000		1
66	C6251A-01-06	Lead Screw 1000 (Metric)		1
66	C6251A-01-06-1	Lead Screw 1500 (Metric)		1
66	C6251A-01-06-2	Lead Screw 2000 (Metric)		1
66	C6251A-01-06-5	Lead Screw 3000 (Metric)		1
66	C6251A-01-06Y	Lead Screw 1000 (Inch)		1
66	C6251A-01-06Y-1	Lead Screw 1500 (Inch)		1
66	C6251A-01-06Y-2	Lead Screw 2000 (Inch)		1
66	C6251A-01-06Y-5	Lead Screw 3000 (Inch)		1
67	CM6233-2055	Cam		1
68	GB70-85	Screw	M6 × 12	2
69	GB827-86	Screw	2 × 5	2
70	RUN6246-106089	Plate		1
71	GB79-85	Screw	M8 × 30	2
72	GB6170-86	Nut	M8	2
73	Z16-1	Lever Bush	M12 × 40	1
74	RUN6246-106014	Bush		1
75	GB1171-74	Belt (C6251A)	B76(60Hz)	1
75	GB1171-74	Belt (C6256A)	B78(60Hz)	1
75	GB1171-74	Belt (C6251A)	B77(50Hz)	1
75	GB1171-74	Belt (C6256A)	B79(50Hz)	1
76	C6251A-01-11	Cover Motor Seat		1
77	RUN6246-108078	Limited Switch Seat		1
78	C6251A-01-03	Stand 1000		1
78	C6251A-01-03-1	Stand 1500		1
78	C6251A-01-03-2	Stand 2000		1
78	C6251A-01-03-5	Stand 3000		1
79	RUN6246-106028-1	Cover Motor Seat		1
80	C6251A-01-10	Auto Stopping Rod 1000		1
80	C6251A-01-10-1	Auto Stopping Rod 1500		1
80	C6251A-01-10-2	Auto Stopping Rod 2000		1
80	C6251A-01-10-5	Auto Stopping Rod 3000		1
81	RUN6141-106024	Bracket		1
82	GB79-85	Screw	M8 × 12	1
83	GB77-85	Screw	M8 × 6	1
84	RUN6246-106019-1	Star Type Ring		1
85	RUN6246-106020-1	Shoe Clamp		4
86	GB80-85	Screw	M8 × 6	4
87	RUN6246-106020	Cam		4

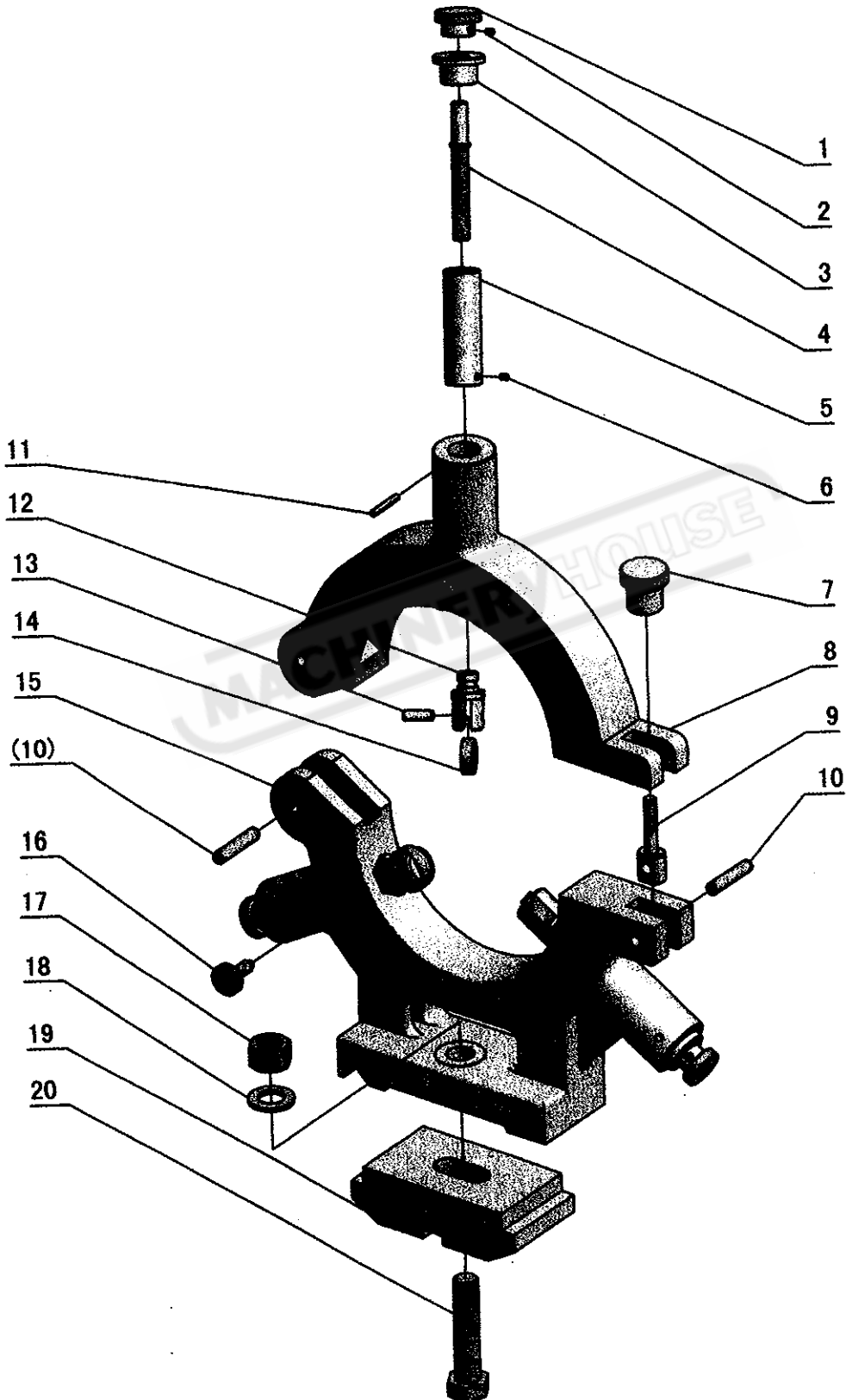
No.	Part No.	Name	Specification	Qty.
88	RUN6246-106019-2	Star Type Ring		1
89	RUN6246-106019-5	Plate		1
90	GB308-84	Steel Ball	6	1
91	Q81-1	Spring	1 × 5 × 25	1
92	RUN6141-106025	Bracket		1
93	GB70-85	Screw	M8 × 20	10
94	C6251A-01-12	Pump Hole Cover		1
95	RUN6246-106029	Bolt		6
96	GB6173-86	Nut	M24 × 2	6
97	RUN6246-106069	Block-Leveling		6
98	GB70-85	Screw	M8 × 30	4
99	C6251A-01-17	Coolant Pump Seat 1000		1
99	C6251A-01-17	Coolant Pump Seat 1500		1
99	C6251A-01-17	Coolant Pump Seat2000		1
99	C6251A-01-17-5	Coolant Pump Seat 3000		1
100	GB96-85	Washer	8	2
101	GB6170-86	Nut	M8	4
102	RUN6246-106051	Screen		1
103	GB6170-86	Nut	M16	7
104	RUN6246-106079	Washer		6
105	RUN6246-106046	Screw		2
106	Y132M-4	Motor	7.5kw	1
107	GB1096C-79	Key	10 × 70	1
108	GB5782-86	Bolt	M10 × 35	4
109	GB93-87	Spring Washer	10	4
110	GB97.1-86	Washer	10	4
111	RUN6246-106034	Motor Seat		1
112	RUN6246-106091	Limited Switch Seat		1
113	GB6170-86	Nut	M4	2
114	GB818-85	Screw	M4 × 20	2
115	GB70-85	Screw	M5 × 8	3
116	RUN6141-106049a	Washer		1
117	RUN6141-106048a	Belt Pulley	60Hz	1
117	RUN6141-106048a-1	Belt Pulley	50Hz	1
118	RUN6246-106047	Belt-Brake		1
119	RUN6246-106050	Shaft		1
120	Q81-3	Spring	3 × 16 × 115	1
121	RUN6246-106039	Shaft		1
122	RUN6246-106044	Shaft		1
123	RUN6246-106040	Arm Brake		1

No.	Part No.	Name	Specification	Qty.
124	RUN6246-106097	Washer		3
125	RUN6246-106041	Bracket-Motor Seat		1
126	RUN6246-106036	Bracket		2
127	RUN6246-106042A	Arm		2
128	C6251A-01-14	Shaft 1000		1
128	C6251A-01-14-1	Shaft 1500		1
128	C6251A-01-14-2	Shaft 2000		1
128	C6251A-01-14-5	Shaft 3000		1
129	RUN6246-106037	Cam		1
130	GB879-86	Spring Pin	5 × 40	1
131	C6251A-01-13	Pedal-Brake 1000		1
131	C6251A-01-13-1	Pedal-Brake 1500		1
131	C6251A-01-13-2	Pedal-Brake 2000		1
131	C6251A-01-13-5	Pedal-Brake 3000		2
132	GB79-85	Screw	M10 × 25	2
133	RUN6141-108002	Spacer		1
134	C6251A-04-03	Gear	55T × M2.25	1
134	C6256A-04-03	Gear	55T × M2.5	1
135	RUN6141-108004	Bolt		1
136	GB894.1-86	Snap Ring	20	1
137	GB278-89	Ball Bearing	180204	2
138	GB893.1-86	Snap Ring	47	1
139	C6251A-05-10	Gear	49T × M2.25	1
139	C6256A-05-10	Gear	49T × M2.5	1
140	C6251A-05-11	Gear	54T × M2.25	1
140	C6256A-05-11	Gear	54T × M2.5	1
141	C6251A-05-08	Bracket		1
142	RUN6141-108005	Nut		1
143	RUN6141-108017	Washer		1
144	C6251A-05-01	Bolt		1
145	C6251A-05-09	Spacer		2
146	C6251A-05-07	Gear	56T × M2.25	1
146	C6256A-05-07	Gear	56T × M2.5	1
147	RUN6141-108015	Spacer		1
148	C6251A-05-11Y	Gear	57T × M2.25	1
148	C6256A-05-11Y	Gear	57T × M2.5	1
149	C6251A-15-01	Gear	40T × M2.25	1
149	C6256A-15-01	Gear	40T × M2.5	1
150	C6251A-04-03Y	Gear	48T × M2.25	1
150	C6256A-04-03Y	Gear	48T × M2.5	1

No.	Part No.	Name	Specification	Qty.
151	C6251A-15-02y	Gear	66T × M2.25	1
151	C6256A-15-02Y	Gear	66T × M2.5	1
152	C6251A-05-11Y	Gear	57T × M2.25	1
152	C6256A-05-11Y	Gear	57T × M2.5	1
153	C6251A-15-01y	Gear	42T × M2.25	1
153	C6256A-15-01Y	Gear	42T × M2.5	1
154	C6251A-05-07Y	Gear	57T × M2.25	1
154	C6256A-05-07Y	Gear	57T × M2.5	1

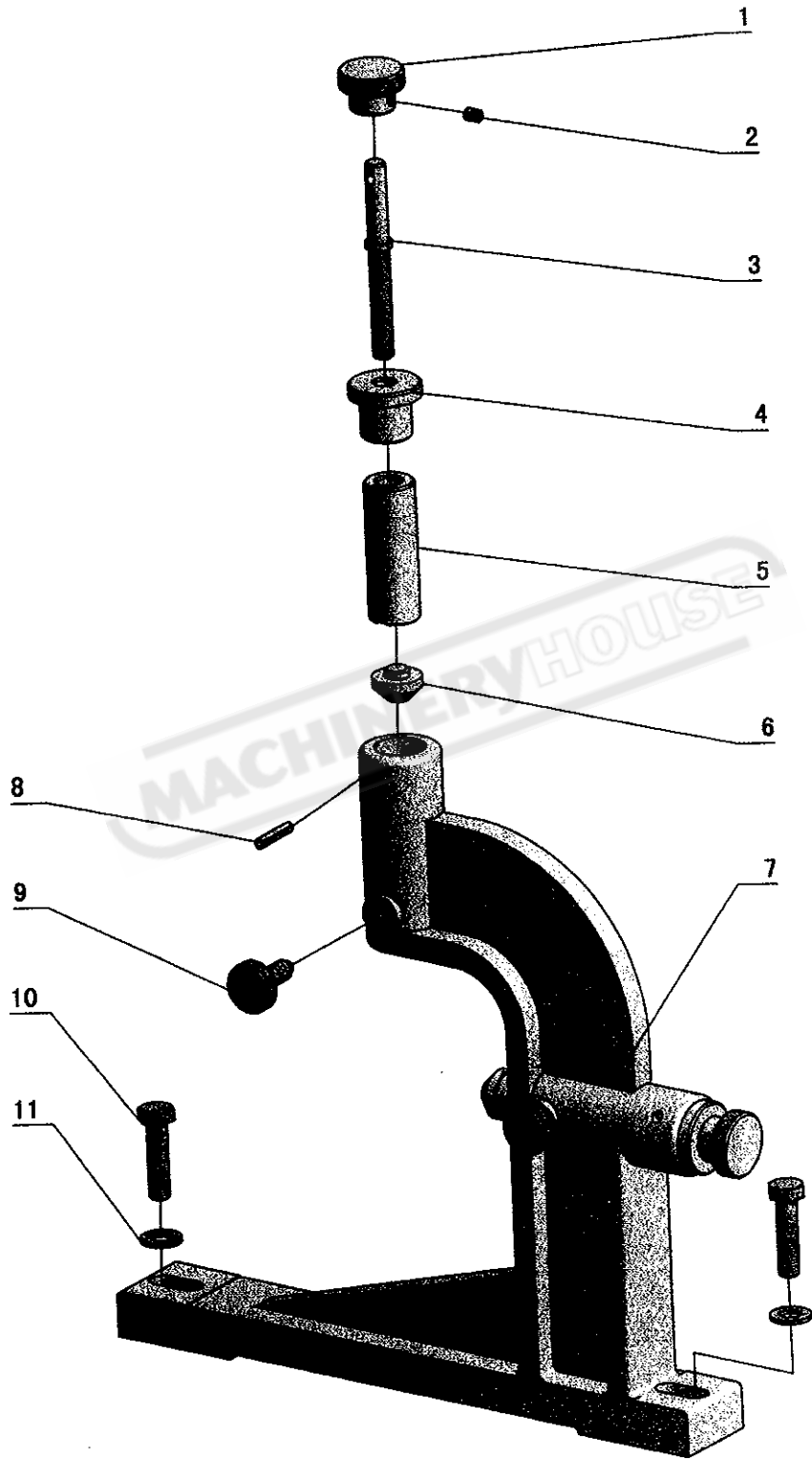
MACHINERYHOUSE

Steady Rest



No.	Part No.	Name	Specification	Qty.
1	C6251A-10-08	Rotate Handle		3
2	GB78-85	Screw	M6 × 8	3
3	C6251A-10-07	Bush		3
4	C6251A-10-05	Screw Shaft		3
5	C6251A-10-04	Sleeve		3
6	GB77-85	Screw	M6 × 8	3
7	C6251A-10-09	Handle		1
8	C6251A-10-06	Upside Of Steady Rest		1
9	C6251A-10-10	Clamping Screw		1
10	GB119-86	Pin	10 × 60	2
11	GB879-86	Spring Pin	5 × 50	3
12	C6251A-10-02	Support Shaft		3
13	C6251A-10-03	Pin		3
14	GB279-88	Ball Bearing	180300	3
15	C6251A-10-01	Downside Of Steady Rest		1
15	C6256A-10-01	Downside Of Steady Rest		1
16	RUN6246-110018	Limited Screw		3
17	GB55-88	Nut	M20	1
18	GB97.2-85	Washer	20	1
19	C6251A-08-03	Clamping Bracket		1
20	GB37-88	Bolt	M20 × 110	1

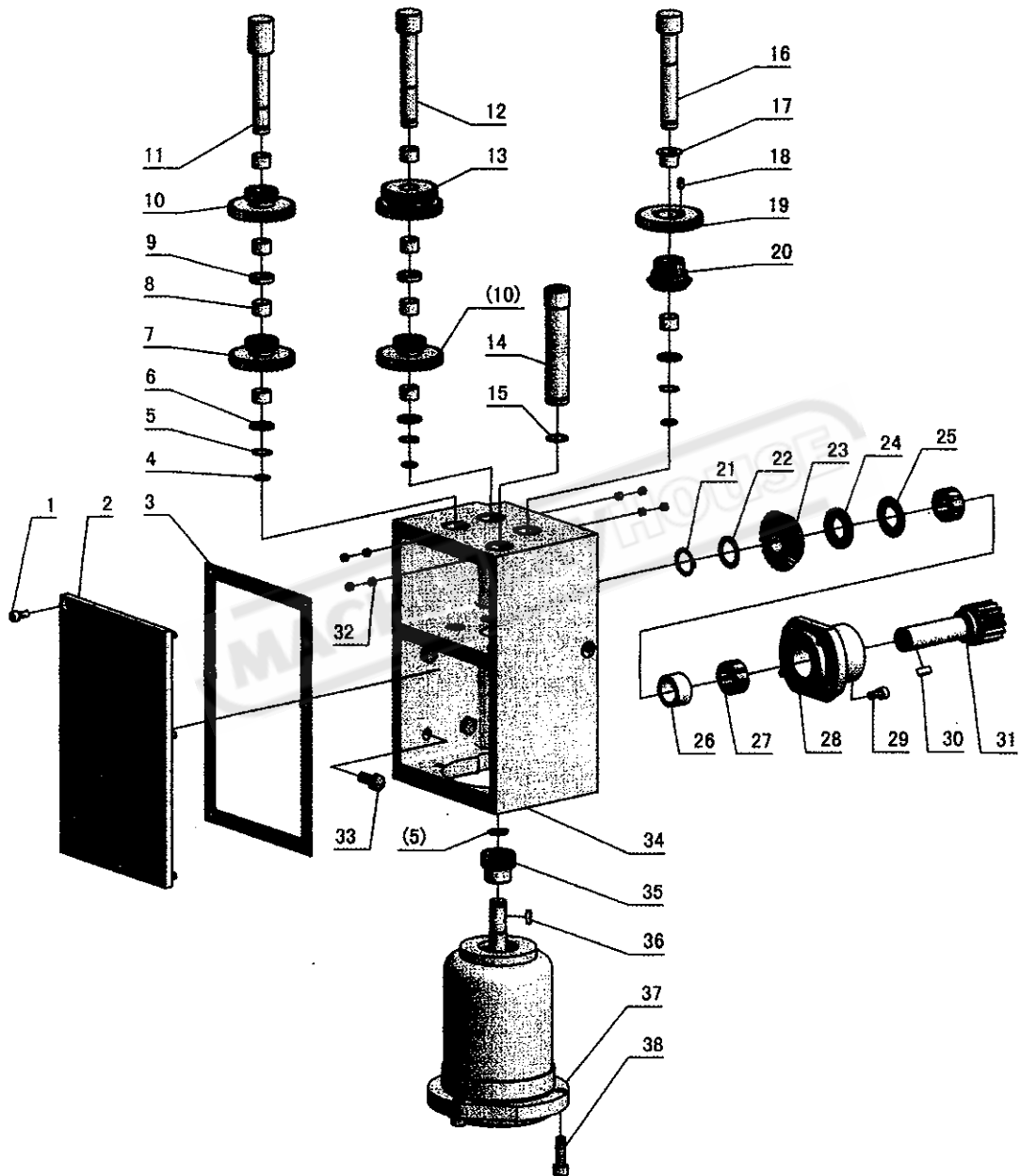
Follow Rest



No.	Part No.	Name	Specification	Qty.
1	RUN6246-110019	Rotate Handle		2
2	GB78-85	Screw		2
3	C6251A-10-11	Follow Rest		1
3	C6256A-10-11	Follow Rest		1
4	RUN6246-110004	Bush		2
5	RUN6246-110016	Sleeve		2
6	RUN6246-110024	Bracket		2
7	RUN6141-110005	Follow Rest (C6241)		1
7	RUN6246H-110005	Follow Rest (C6246h)		1
8	GB879-86	Spring Pin	5 × 26	2
9	RUN6246-110018	Limited Screw		2
10	GB5782-86	Bolt	M10 × 40	2
11	GB97.1-85	Washer		2

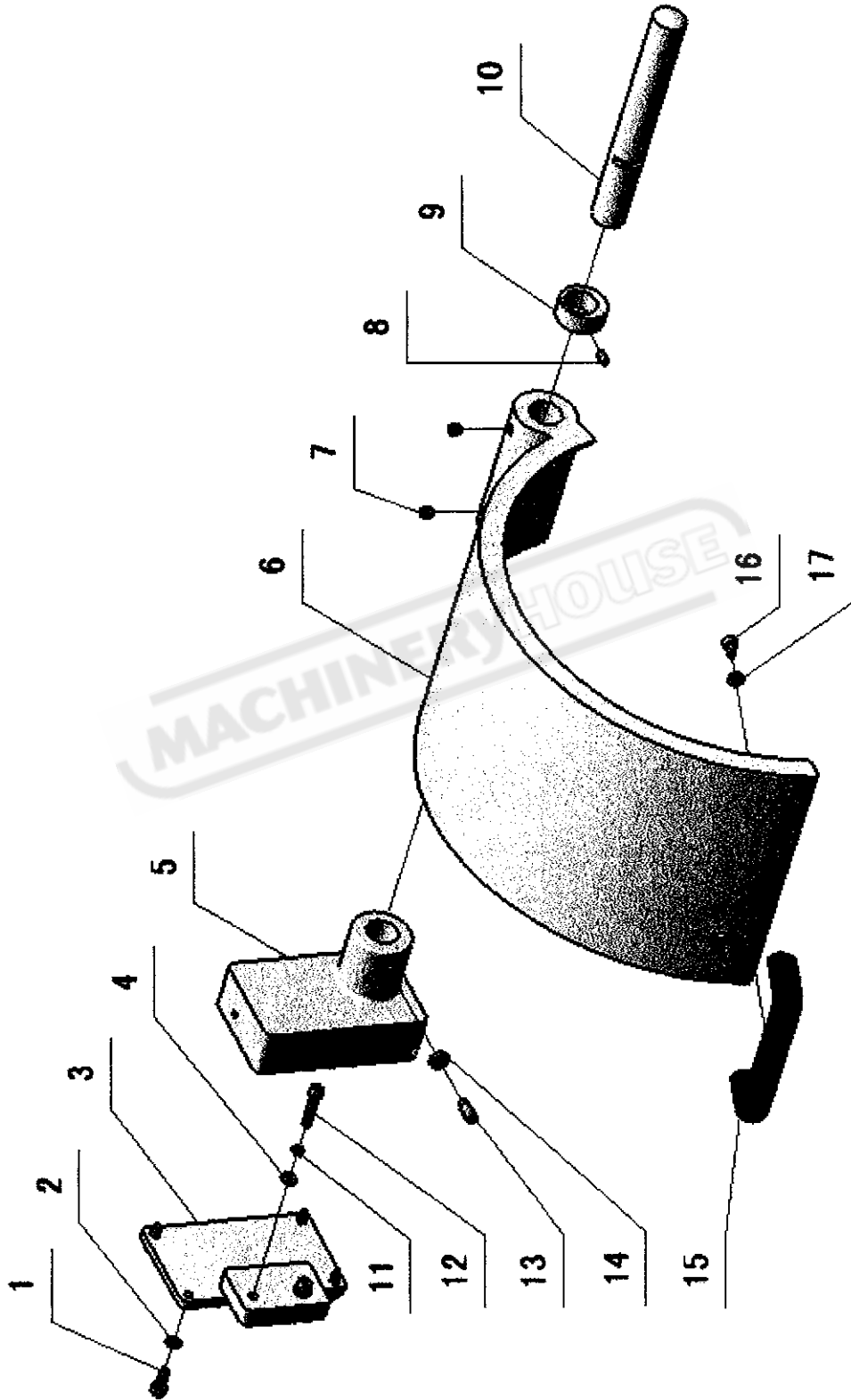
MACHINERYHOUSE

Speed-move Device



No.	Part No.	Name	Specifications	Qty.
1	GB70-85	Socket Head Cap Screw	M5×12	8
2	C6251A-19-08-04	Cover		1
3	C6251A-19-08-12	Cover Seal		1
4	GB/T3452.1-1992	O-Ring	Φ10.6×1.8	3
5	GB894.1-86	Snap Ring	14	4
6	C6251A-19-08-11	Spacer		3
7	C6251A-19-08-05	Gear I	Z36 × 1.5/Z17 ×	1
8	SF-1(DU)	Bearing	C/SF-1410	9
9	C6251A-19-08-10	Spacer		2
10	C6251A-19-08-06	Gear II	Z37 × 1.5/Z17 ×	2
11	C6251A-19-08-07	Shaft I		1
12	C6251A-19-08-08	Shaft II		1
13	C6251A-19-08-09	Gear III	Z37 × 1.5/Z31 ×	1
14	C6251A-19-08-24	Shaft		1
15	GB/T3452.1-1992	O-Ring	Φ16×1.8	1
16	C6251A-19-08-23	Shaft III		1
17	SF-1F	Bearing	C/SFF-14120	1
18	GB77-85	Screw	M5×8	3
19	C6251A-19-08-21	Gear	Z37×1.5	1
20	C6251A-19-08-22	Bevel Gear	Z21×1.75	1
21	GB894.1-86	Snap Ring	20	1
22	C6251A-19-08-20	Washer II		1
23	C6251A-19-08-15	Bevel Gear	Z29×1.75	1
24	GB/T4605-1984	Bearing	AXK 2035	1
25	C6251A-19-08-16	Washer I		1
26	C6251A-19-08-19	Spacer		1
27	GB/T5801-1994	Bearing	RNA 4902	2
28	C6251A-19-08-17	Bearing Cover		1
29	GB70-85	Socket Head Cap Screw	M6×12	4
30	GB1096-79	Key	5×14	1
31	C6251A-19-08-18	Pinion		1
32	GB80-85	Screw	M6×6	8
33	GB5783-86	Bolt	M8×20	4
34	C6251A-19-08-14	Box		1
35	C6251A-19-08-02	Gear	Z18×1.5	1
36	GB1096-79	Key	4×12	1
37	YS	Motor	YSS2-5634	1
38	GB70-85	Socket Head Cap Screw	M8×25	3

Chuck Guard Cover



NO	Part No.	Name	Specification	Qty.
1	GB70-85	Screw	M6×16	4
2	GB93-87	Washer	6	4
3	RUN6246-F101002F	Support Bracket		1
4	GB97.1-85	Washer	6	2
5	RUN6246-101101	Bracket		1
6	C6241-16-01	Cover		1
7	GB80-85	Screw	M8×8	2
8	GB78-85	Screw	M6×10	1
9	CM6233-F1005	Cam		1
10	C6241-16-02	Shaft		1
11	GB93-87	Washer	6	2
12	GB70-85	Screw	M6×30	2
13	GB79-85	Screw	M8×20	1
14	GB6172-86	Nut	M8	1
15	HY8315.4	handle	A=114	1
16	GB70-85	Screw	M6×10	2
17	GB97.1-85	Washer	6	2

MACHINERYHOUSE

Operation Manual for

Copying Device of Horizontal Lathe*

“*” IS FOR USERS' SPECIAL ORDER

CONTENTS

(1) Main Data -----	102
(2) List of Parts -----	103-107
(3) Installation Method -----	108-110
(4) Operation Method -----	110-111

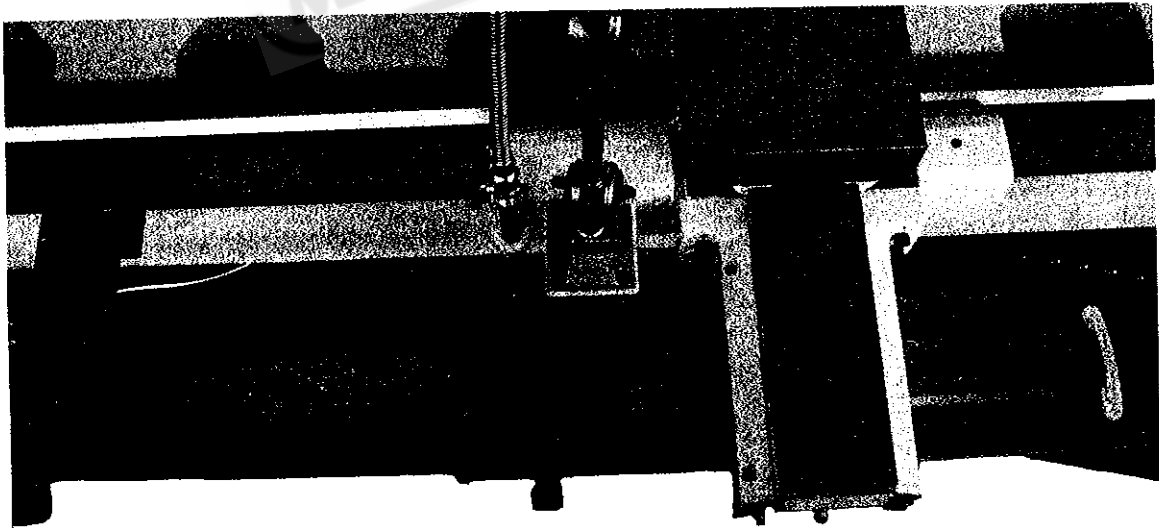


Figure 1

(1) Main Data

Stroke	455 mm
Angle	$\pm 8^\circ$
Packing Sizes (mm)	740 × 350 × 270
Net Weight (kg)	43 kg
Gross Weight (kg)	52 kg

MACHINERYHOUSE

(2) List of Parts

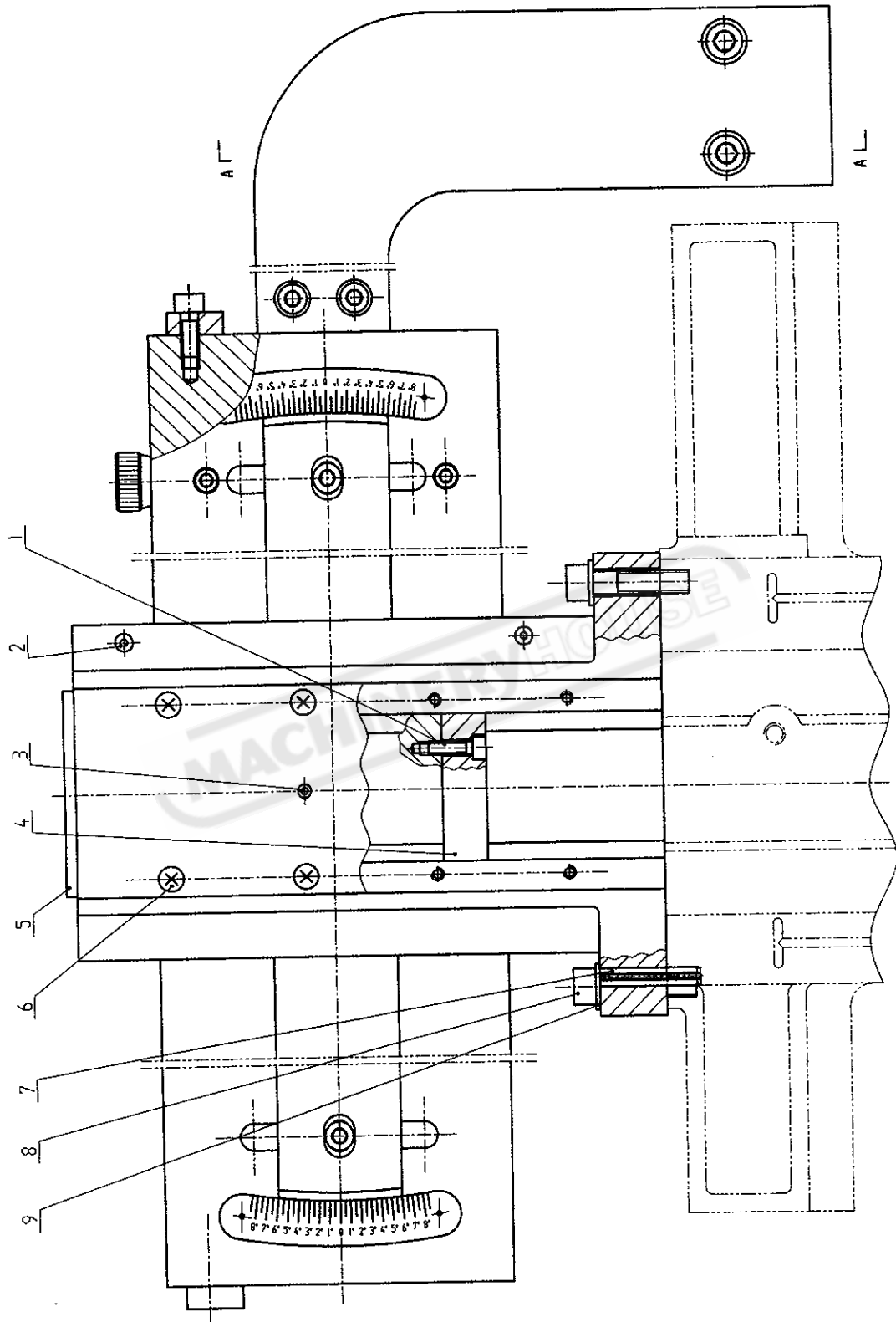


Figure 2

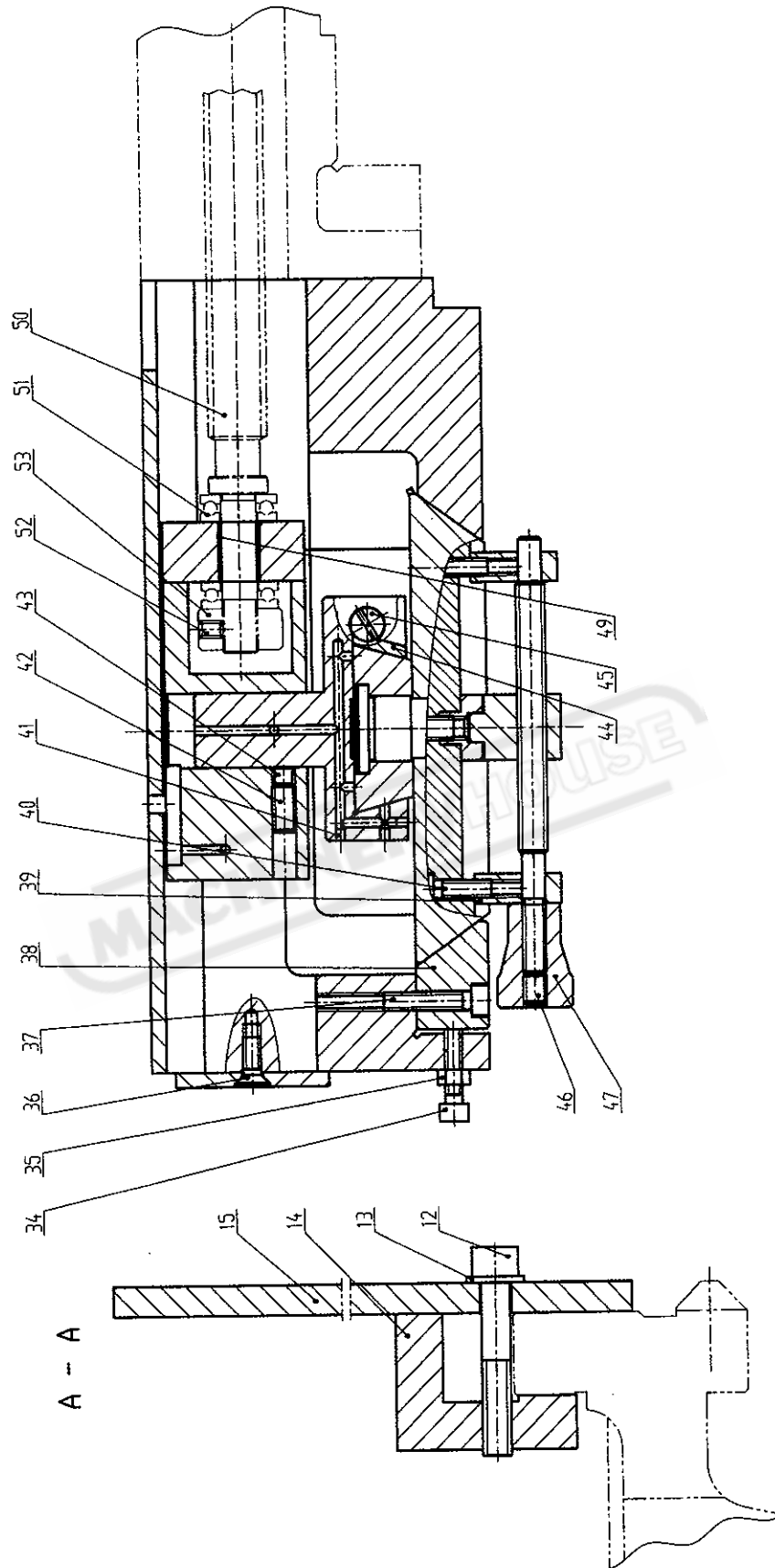


Figure 3

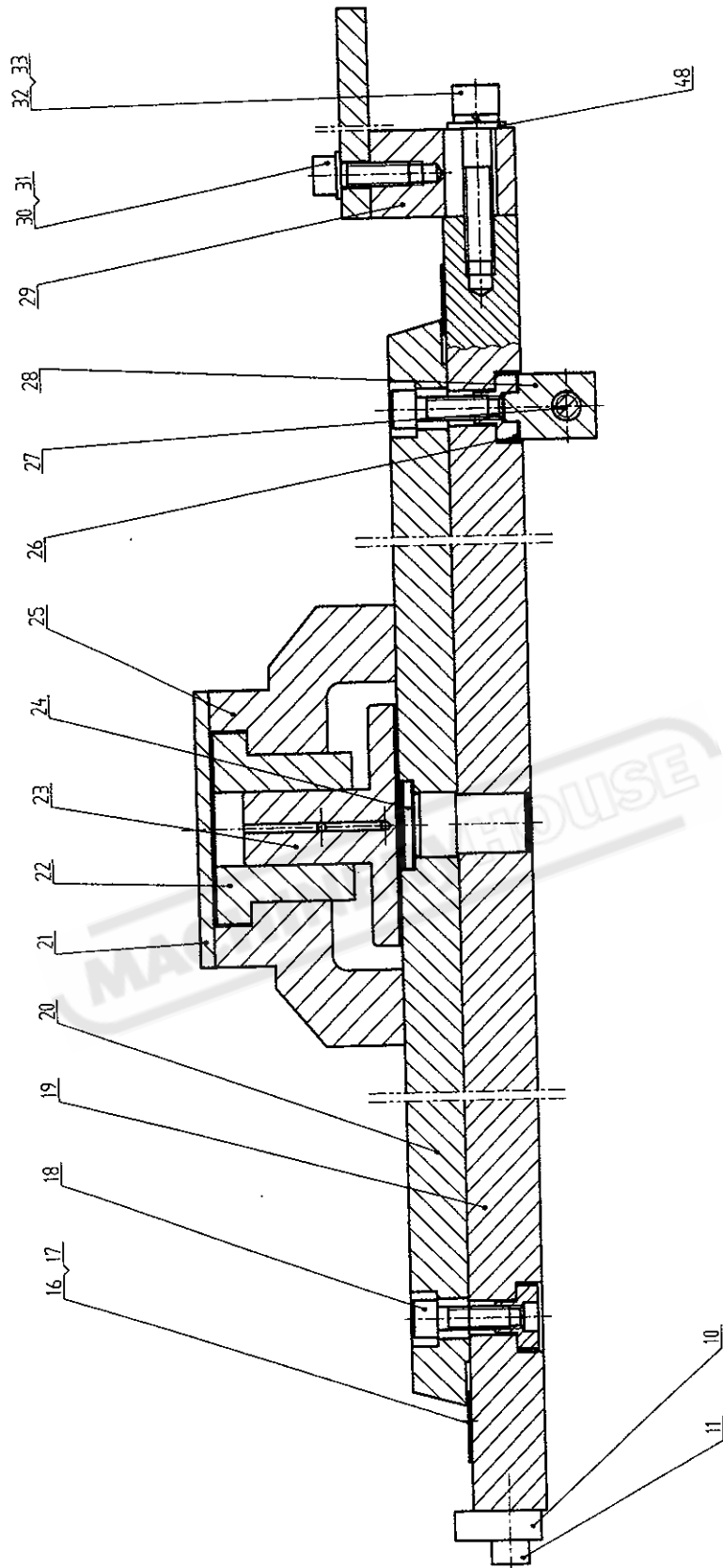


Figure 4

S/N	Code of Part	Name	Size	Quantity
1	GB70-85	Socket Cap Screw	M6×20	2
2	GB1155-89	Press-Fit Oil Cup	D=8	2
3	GB1155-89	Press-Fit Oil Cup	D=6	1
4	C6241-115001	End Block (for C6241, C6246H, C6251A,		1
4	C6266A-17-01	End Block (for C6266A)		1
5	C6241-115002	Stopper		1
6	GB819-85	Cross Recess Sunk Screw	M6×16	8
7	GB879-86	Spring Cylindrical Pin	8×45	2
8	GB70-85	Socket Cap Screw	M10×45	4
9	GB97.1-85	Flat Washer	d1=10	4
10	C6241-115003	Stopper		2
11	GB70-85	Socket Cap Screw	M8×20	2
12	GB70-85	Socket Cap Screw	M10×60	2
13	GB97.1-85	Flat Washer	d1=10	2
14	C6241-115033	Pressed Block (for C6241, C6246H,		1
14	C6251A-17-01	Pressed Block (for C6251A, C6256A)		1
15	C6241-115032	Pull Rod		1
16	GB827-86	Nails for Sign Board	2×6	4
17	C6241-115009	Sign Board		2
18	GB70-85	Socket Cap Screw	M8×25	2
19	C6241-115034	Profiling Seat		1
20	C6241-115012	Profiling Plate		1
21	C6241-115013	Press Plate Cover		1
22	C6241-115014	Slide Block		1
23	C6241-115015	Pivot		1
24	C6241-115016	Position Axle		1
25	C6241-115017	Main Support		1
26	C6241-115018	Mobile Block		2
27	C6241-115019	Adjustment Screw		1
28	C6241-115020	Adjustment Nut		1

S/N	Code of Part	Name	Size	Quantity
29	C6241-115031	Connection Block (for C6241, C6246H, C6251A, C6256A)		1
29	C6266A-17-02	Connection Block (for		1
30	GB70-85	Socket Cap Screw	M8×25	2
31	GB97.1-85	Flat Washer	d1=8	2
32	GB70-85	Socket Cap Screw	M10×50	2
33	GB93-86	Spring Washer	10	2
34	GB70-85	Socket Cap Screw	M6×25	3
35	GB6170-86	Model 1 Hexagon Nut –	M6 zinc	3
36	GB819-85	Cross Recess Sunk Screw	M6×16	2
37	GB70-85	Socket Cap Screw	M6×30	3
38	C6241-115024	Wedge		1
39	C6241-115025	Adjustment Supporter		2
40	GB70-85	Socket Cap Screw	M6×20	2
41	C6241-115026	Block Pin		3
42	GB77-85	Socket Flat Set Screw	M8×16	1
43	C6241-115027	Copper Washer		1
44	C6241-115028	Inlaid Strip		1
45	C6241-115029	Press Screw		2
46	GB77-85	Socket Flat Set Screw	M8×10	1
47	C6241-115030	Handle		1
48	GB97.1-85	Flat Washer	d1=10 zinc	2
49	SF-1	Oil-Free Lubrication	1218	1
50	RUN6141-103021	Guide Screw		1
51	GB/T 301-1995	Thrust Ball Bearing	51101	2
52	GB80-85	Socket Recess Set Screw	M6×8	1
53	RUN6246-103007-1	Nut		1